

2024 - 2025

Horn

“ Good design stands the test of time ”



Scan me with your
phone for our website

CONTENTS

3 WELCOME

An introduction to this year's brochure

4 - 16 HORN SEWING CABINETS

17 - 19 STORAGE

20 - 29 TABLES

30 - 33 HORN ACCESSORIES

34 - 37 SIZE GUIDE

38 - 39 INSETS/INSERTS & DELIVERY

Ask us about our supplement issue, showing our newest unit featuring an electric lifter!



Horn sewing cabinets are now supplied with our unique foot stop anti-slip guard, which creates a barrier to stop your foot control sliding away from you.



Managing Director

Jason Read



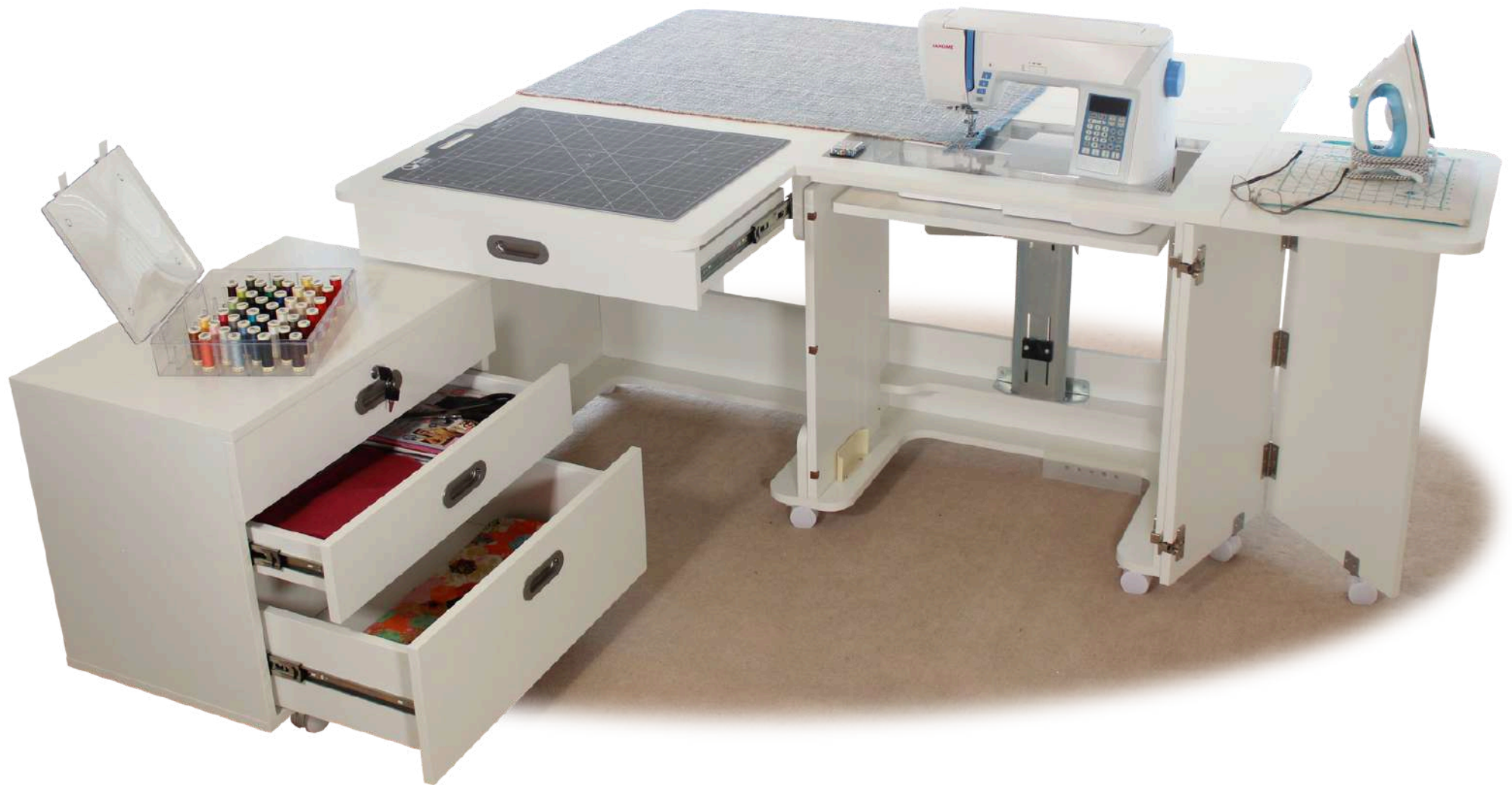
Our Horn collection showcases the latest in design and innovation which reflects Horn's renowned expertise in sewing cabinetry and furniture design acquired over decades of meticulous attention to detail.

Tailored to cater to your sewing, quilting, patchwork, or crafting needs, our diverse range of products is available in various shapes, sizes, and finishes to fit in with your crafting space.

Whether you are a dedicated Horn supporter, or a newcomer, we are eager to connect with you. Join us on social media to stay updated on the latest Horn news, event highlights, explore customer testimonials, and be the first to know about new product releases.

Continue reading to discover our latest products and accessories.

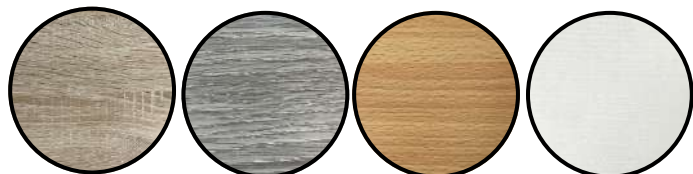
Jason



SUPER Q MK-2

Let's get creative

Available in:



Weathered
Oak

American
Grey Oak

Beech

White

Introducing the Super Q Mark 2 - The Ultimate Sewing Haven.

The Super Q Mark 2 is a workstation that merges functionality with timeless style. The customisable workspace and integrated mobile drawers offer a huge amount of flexibility and storage.

It's the perfect companion for any sewing enthusiast, offering a world of possibilities to enhance your creative journey.



Heavy duty lockable castors



Need a chair? See pg.30 for more information

With our Maxi Air-Lifter opening and 3-step mechanism, the Super Q Mark 2 is compatible with virtually all domestic sewing machines.



- 1 Enjoy a spacious and adjustable work surface that caters to your specific needs so you can create your dream sewing area with ease.
- 2 Keep your supplies organised and within reach with integrated mobile drawers featuring inlaid handles & a lockable top drawer.
- 3 Features a lockable bi-folding door which closes to hide your sewing machine and keep your studio looking tidy.

- 4 Equipped with lockable castors, the Super Q Mark 2 is sturdy yet easily movable to any part of your room.
- 5 Extendable, well supported working areas either side of you and also behind the machine.
- 6 An acrylic flatbed inset is supplied with this model, cut to fit your specific sewing machine.

Please note: due to its size, it may not be possible to take this unit up an internal staircase. See pg. 39 for more details.



SUPER Q

Unleash your creativity and take your sewing and crafting to new heights.

The Super Q boasts a generously sized work surface that you can adjust to meet your specific needs and create your dream sewing and crafting area.

Say goodbye to clutter and hello to organised bliss, with an integrated single drawer and a mobile drawer caddy the Super Q ensures your supplies are neatly stored and easily accessible. Experience the joy of a tidy and efficient workspace!



Need a chair?
See pg.30 for
more information

“I’m really impressed with all the different cabinet configurations there are... nothing that could possibly be wanted, has been omitted.”

HORN CUSTOMER

1 Crafted with durable gate legs, and perfect for virtually all sewing tasks, this cabinet includes various “slot in” filler pieces to expand your workspace.

2 Features an integrated drawer as well as the pull-out drawer caddy.

3 Equipped with lockable castors the Super Q is easy to move around your studio, providing flexibility when you need it.

4 The extendable working areas on the side and rear of the cabinet feature a robust design, supported by double gate legs for the rear leaf and a fold-out support beneath the right-hand leaf.

5 Fitted with our Maxi-lifter opening (type 1942) which is capable of taking virtually all domestic sewing machines on the market old or new!

6 An acrylic flatbed inset is supplied with this model, cut to fit your specific sewing machine.

Available in:



Please note: due to its size, it may not be possible to take this unit up an internal staircase. See pg. 39 for more details.

Please note: Due to the fixed left leaf, the sitting position can feel restricted for some when using long-armed machines, e.g. Bernina 7 Series etc...

For this and similar machines, please see Super Q / SQ MK-2.



QUILTER'S DELIGHT MK-2

The original quilting table for you and your machine

The smaller sister of the Super Q, the Quilter's Delight is still fitted with the Maxi opening (1942) so is able to accommodate some of the largest domestic sewing machines, but in an overall smaller space.

The Quilter's Delight features 3 collapsible leaves which can be opened in various configurations and give support all around the user for even the largest projects. The unit sits on heavy-duty castors for easy mobility and increased stability, is a great unit for those with a smaller area to fill, and is easier on the pocket.



Need a chair?
See pg.30 for
more information

- 1 Stay organised and keep your quilting supplies within reach with the Quilter's Delight's mobile drawers, which ensure all your materials are neatly stored and easily accessible.
- 2 Ample quilting area which allows you to spread out and work on your projects with ease.
- 3 Equipped with lockable castors the Quilter's Delight is easy to move around your studio, providing flexibility when you need it.
- 4 The extendable working areas on the side and rear of the cabinet feature a robust design, supported by double gate legs for the rear leaf and a fold-out support beneath the right-hand leaf.
- 5 Fitted with our Maxi-lifter opening (type 1942) which is capable of taking virtually all domestic sewing machines on the market old or new!
- 6 An acrylic flatbed inset is supplied with this model, cut to fit your specific sewing machine.



Available in:



Weathered
Oak

American
Grey Oak

Beech

White

Please note: due to its size, it may not be possible to take this unit up an internal staircase. See pg. 39 for more details.

Delivered fully assembled



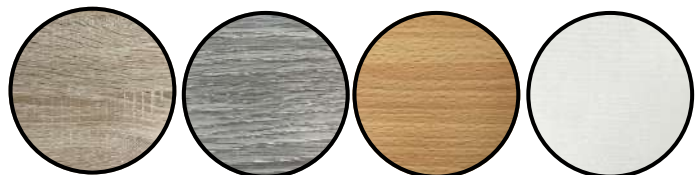
Have a visitor, and need to tidy away quickly? Both the Eclipse XL & Nova XL can be folded down in seconds, even with projects partially finished. Once locked with the key you're left with a compact, attractive cabinet. No one would ever know how much it holds.



ECLIPSE XL

Our most popular cabinets...

The Eclipse XL & Nova XL are both available in:



Weathered
Oak

American
Grey Oak

Beech

White



The newest editions of our incredibly popular Eclipse XL & Nova XL units have been enhanced to meet your organisational needs. With sleek finishes, updated removable door bin design, flush-mounted hinges and lockable doors these cabinets are not only functional but also fold away to blend with your other furniture. Upgrade your studio with our upgraded cabinets and experience this fantastic blend of form and function.



1

Equipped with our Maxi Air-Lifter opening (type 1942), designed to fit nearly all domestic sewing machines.

2

Removable transparent door storage bins positioned beneath one of the expansion leaves.

3

The extendable working areas on the side and rear of the cabinet feature a robust design. Both units come with three extendable leaves, with the front and side leaves being mirrored. Rear leaves are supported by double gate legs, front and sides supported by doors.

4

The entire front of the cabinet is secured by a lockable front door.

5

Both the Eclipse & Nova XL come with a custom-cut acrylic flatbed inset designed to fit your sewing machine perfectly.



NOVA XL

...just got better.



Need a chair?
See pg.30 for
more information

Information for the **Eclipse XL**: Due to the fixed left leaf, the sitting position can feel restricted for some when using long-armed machines, e.g. Bernina 7 Series etc...

For this and similar machines, please see the **Nova XL** and **Gemini XL**.

The Nova XL provides the same space and functions as the Eclipse XL, but with a mirrored design to fit different room arrangements. We understand that sewing spaces differ, so we've designed these cabinets to better adapt to your specific layout requirements.

For more delivery info please see pg.39.

Both delivered fully assembled 11



GEMINI XL

This is the smallest cabinet fitted with our Maxi opening.

The Gemini XL is the big sister to the Gemini. In addition to all the benefits of its little sister it has the Maxi (1942) opening and a super handy space-saving, pull-out rack system. This unique new addition gives a surprising amount of extra storage potential.

Despite its smaller size every inch of space is maximised to ensure that your sewing equipment fits perfectly, providing you with a comfortable workspace.



The Gemini XL features a central sitting position, which allows freedom to access every part of the cabinet from your chair. This sitting position, and the extra depth, gives spacious legroom whilst using even the largest of sewing machines.

This cabinet may be compact, but its capabilities are boundless, making it the ideal choice for those seeking a versatile and efficient sewing solution.



Need a chair?
See pg.30 for
more information

- 1 This unit is able to hold the larger, longer armed sewing machines due to it having the 1942 opening. This means it is able to hold machines such as the Pfaff Icon, Bernina 7 & 8 series, Janome Horizon range amongst others. See page 38 for more information on our insets and inserts.
- 2 Despite its smaller size it has one of the best seating positions for the larger sewing machines.
- 3 Removable transparent door storage bins positioned beneath both of the expansion leaves.
- 4 One inset, cut for your machine, is included with this model.

Available in:



Weathered
Oak

American
Grey Oak

Beech

White

For more delivery info please see pg.39.

Delivered fully assembled 13



GEMINI

The small cabinet
with big ideas.

Surprisingly compact, this cabinet measures only 2.5ft x 1.5ft when closed, yet still accommodates many of the domestic sewing machines in today's market.

Only slightly larger than the Cub Plus, it offers a more central sewing position, providing users with increased support on all sides and behind the machine.



This unit may not take some the larger domestic sewing machines. If your machine is one of these, you may need to look from the Gemini XL up. Give us a call to check for sure if your machine fits this model.

- 1 Fitted with our long lifter opening (type 1992) which is capable of taking many of the newer (and older) machines on the market.
- 2 Integrated shelves and removable storage bins give generous storage space for your crafting essentials.
- 3 One of our flush mounted sewing machine insets (1992) is included, giving the user an overall more comfortable sewing experience.
- 4 Removable transparent door storage bins positioned beneath the expansion leaves.
- 5 Central sitting position allows you to have your head in line with the needle.

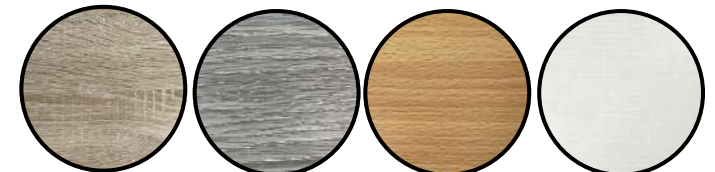
“Really impressed with the table itself, it really is just a lovely piece of furniture that does the job so well”

HORN CUSTOMER



Need a chair?
See pg.30 for
more information

Available in:



Weathered
Oak

American
Grey Oak

Beech

White

For more delivery info please see pg.39.

Delivered fully assembled 15



If your sewing machine is one of the larger domestic models you may need a larger cabinet. Give us a call if you'd like to check for sure if your sewing machine fits this model.



- 1 Fitted with our flush inset style template (type 1972), designed to accommodate many domestic sewing machines.
- 2 Comes equipped with our easy to use three-step air lifter.
- 3 Removable transparent door storage bins positioned beneath one of the expansion leaves.
- 4 When closed the footprint is just 2ft x 1.5ft, so it fits perfectly into smaller craft rooms or limited spaces, maximising your storage potential without overcrowding your workspace.
- 5 Solidly constructed with an open base design and outfitted with five heavy-duty lockable castors for easy movement. The worksurface includes flush-mounted hinges to prevent snagging.
- 6 Inset not included - please see pg.38 for information on how to order one.

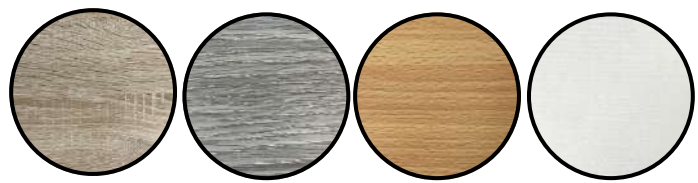
CUB PLUS

Maximise space and minimise fuss.

The Cub Plus, a sewing cabinet with a classic design, is perfect for smaller sewing areas. It includes a 3-step Air-Lifter, removable transparent door storage for accessories, and a designated space for your sewing machine. Experience the benefits of a full-size sewing cabinet in an elegant and space-saving design.



Available in:



Weathered Oak American Grey Oak Beech White



Translucent trays are fitted on secure sliders, and can be removed if needed.

1 The Rolla Storage cabinet, when opened, is designed to align with our sewing cabinets and give you valuable extra workspace as well as storage.

2 Features a 270-degree swing on the door hinge, allowing it to fit against the side when opened.

3 The four new deep-fill drawers, which are translucent, can accommodate all your sewing tools, fabrics, and perhaps even an overlocker!

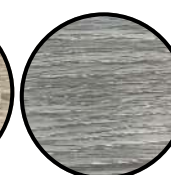
ROLLA STORAGE

Keep your studio organised

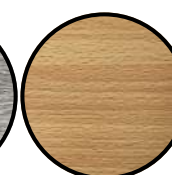
Available in:



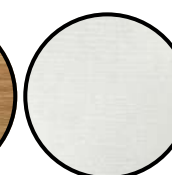
Weathered
Oak



American
Grey Oak



Beech



White

For more delivery info please see pg.39.

Delivered fully assembled



2



3

4



1

Side 1 features 2 rods for hanging and storing ribbon, yarn, or embroidery interfacing.

2

Side 2 holds 18 thread spindles and 2 additional shelves.

3

Side 3 is dedicated to 42 thread and bobbin holders.

4

Side 4 includes 3 adjustable shelves.

CRAFT CUBE

A place for everything

Revolutionise your crafting experience with the Craft Cube, a versatile and compact solution tailored to meet your needs.

The Craft Cube is thoughtfully designed to maximise efficiency in any craft space. It offers ample storage and workspace, ensuring everything you need is within reach without taking up too much room, and is built to withstand the demands of a dynamic studio and reliably store your notions.

Available in:



White



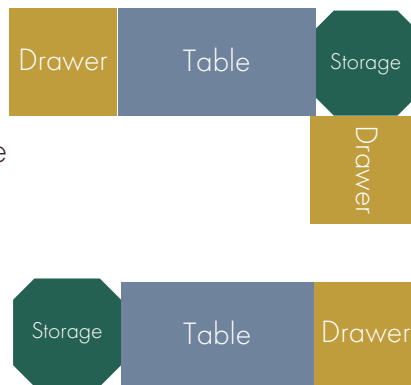


THE ELEMENTS

It's entirely up to you...

With one table, one drawer unit, one storage chest, the possibilities are endless!

The intelligent modular design offers numerous configuration options, making it easy to customise your crafting space. Once assembled, each unit can be securely fixed together using the provided fixing screws to create a stable and continuous surface.



Check out our configuration recommendations for some inspiration!

- 1 Easy to assemble, enabling quick and easy construction in hard-to-reach areas like attics and compact rooms.
- 2 The table features a 2-step manual mechanism platform that enables switching between flatbed and free-arm sewing positions with a quick release adjustment lever.
- 3 The table is fitted with our maxi opening giving it the ability to fit virtually all of the larger domestic sewing machines.
- 4 Great value! Start with just the main table unit and add to it as you wish.



Flatbed inset (1942 US) is an optional extra. For more information on purchasing the right inset for you please see pg.38.



Need a chair?
See pg.30 for more information

Available in:



White



Assembly service available, please see price list or contact us for details.

For more delivery info please see pg.39.

Self assembly required



MAXI HOBBY TABLE

Craft like never before with this one-of-a-kind table!

Horn's deluxe table is the perfect upgrade for your crafting sanctuary. With a chic design it brings storage, ease, and practicality to the next level. Boasting a spacious work area and eight robust wheels that lock for stability and easy movement.

When it's time to tidy up simply fold down the side leaves for neat and easy storage. With cupboards on each side, stash your machines on one end and accessories in the four roomy transparent trays on the other. It's a crafter's dream!



One side features trays for materials and notions, while the other side includes an adjustable shelf to support your machines.

The Hobby Table's 87cm (34 1/4") height is the perfect height to stand at while working. No bending, kneeling or stooping for you!



The Tall Hobby chair is the perfect companion for this table. See pg.30 for more information



- 1 This, our largest crafting table, gives a versatile and spacious surface with flexible storage.
- 2 Two fold-out leaves provide a generous cutting area of 70" x 40" for extensive projects.
- 3 Equipped with eight large lockable castors for stability and easy movement.
- 4 Easily folds down to a workable size (20" x 40") for convenient storage in any room.



“I love my Hobby Table! Perfect cutting area aswell as loads of storage. Highly Recommend”

HORN CUSTOMER

Available in:



Please note: due to its size, it may not be possible to take this unit up an internal staircase. See pg.39 for more details.

Delivered fully assembled



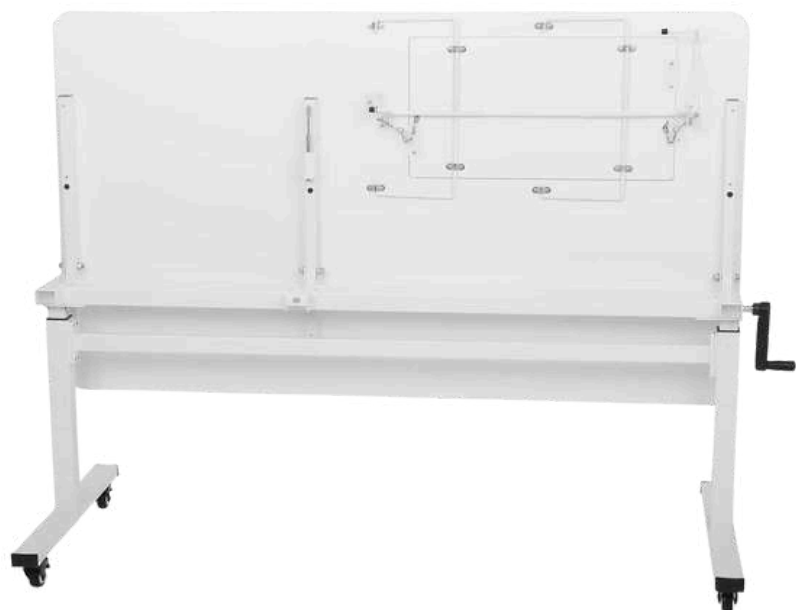
SEWER'S VISION

Elevate Your Crafting Experience

Need a large worksurface, and the option to stand or sit while using your machine? We have the perfect answer! Horn's Sewer's Vision height adjustable table is a 2-in-1 sewing and cutting workstation which gives you a spacious and smooth surface, allowing you to spread out and work with your largest projects without any fuss, and can be lowered or raised to your ideal working height.



- 1 The two-step manual lift mechanism enables you to switch between free arm and flat bed sewing positions easily.
- 2 Fitted with our Maxi inset opening (size 1952), which allows a totally flush sewing surface.
- 3 Capable of fitting almost all domestic sewing machines available on the market.
- 4 The generous work area prevents large projects from dragging or coming into contact with the floor.
- 5 Shift from sitting to standing by simply turning a handle, adjusting the table height from 72cm to an impressive 102cm.
- 6 This model comes with a custom-cut acrylic flatbed inset designed to perfectly fit your sewing machine.
- 7 By pulling an easy-release spring-loaded lever the table can be flipped onto its side, enabling convenient storage.
- 8 The 1" thick table top has a tough, impact-resistant ABS edging for enhanced durability. Additionally, rounded corners are designed to prevent you and your material from snags and injuries.
- 9 Four large, lockable, semi-industrial castors allow superior locking ability as well as easy movement.

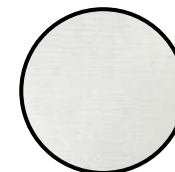


The Tall Hobby chair is the perfect companion for this table. See pg.30 for more information

The Sewer's Vision features an unbelievable 64" x 36" of crafting worksurface to keep any of your projects from falling to the floor.

The table can easily be folded away vertically for storage when not in use.

Available in:



White

For more delivery info please see pg.39.

Delivered fully assembled



CUT EASY MK-2

Introducing your all-in-one cutting and pressing workstation.

A versatile crafting table that simplifies cutting and pressing tasks, improving your workspace and crafting journey.

Featuring a generous 5x3ft cutting surface, an integrated folding pressing board, and 7 robust lockable wheels for easy movement, the Cut Easy MK-2 can be conveniently folded into a compact unit slightly over 1ft deep for easy storage when not in use, convenient enough to fit in any room..

- 1 Durable metal frame throughout the unit.
- 2 The built-in pressing board measures 27"x 12".
- 3 Expand the cutting surface for larger projects with 2 fold-out leaves.
- 4 Sturdy design with locking castors ensures stability and easy movement.
- 5 Provides a great standing height for cutting and pressing tasks.
- 6 Rounded corners to prevent fabric snags and injuries.



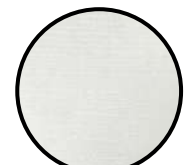
37"
standing
height!



The Tall Hobby
chair is the
perfect companion
for this table. See
pg.30 for more
information



Available in:



White



Assembly service available, please see price list or contact us for details.

For more delivery info please see pg.39.

Self assembly required

Height
Adjustable!



COMPACT HI-LO

Perfect for crafters with a limited amount of space.

Sporting a clean white, hard-wearing open grained finish, this clever table is able to be folded away for easy storage or be used half open to save space. But that's not all, the adjustable legs allow it to be set at your ideal standing position.

Variable height adjustment in increments of inches

Min 32"



Max 38"

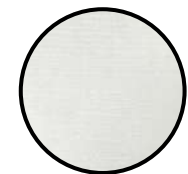


- 1 Includes two integrated shelves, allowing you to organise your supplies and keep them close while working.
- 2 Can be raised or lowered to your perfect height: Min. 32" & Max. 38".
- 3 Durable gate-leg design.
- 4 Rounded corners stop snagging or potential injuries.
- 5 Six robust locking castors allow for easy movement.
- 6 Easy to assemble in even the most awkward spaces.



The Tall Hobby chair is the perfect companion for this table. See pg.30 for more information

Available in:



White



Assembly service available, please see price list or contact us for details.

For more delivery info please see pg.39.

Self assembly required

I'm just 14kg!

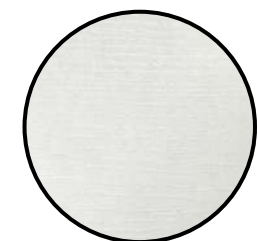


HIDEAWAY MK-2

Designed for creative souls on the move.

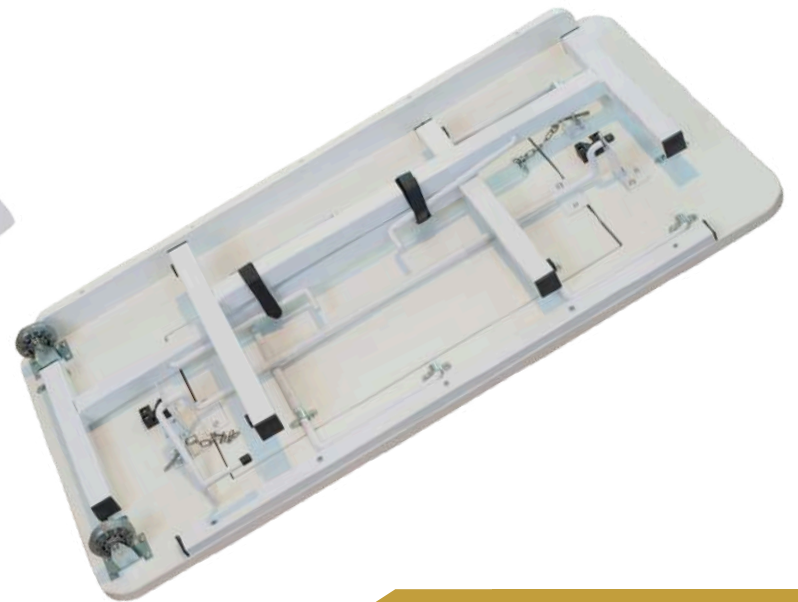
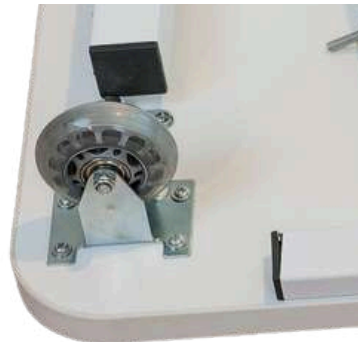
Perfect for any space, this nifty sewing table on wheels is ideal whether you're crafting at home, a cozy retreat or a bustling class, this table is your trusty sidekick.

Available in:



White

- 1 Fitted with our Maxi opening (size 1952) this table accommodates both tabletop and flatbed sewing positions for almost any domestic sewing machine, old or new.
- 2 Fitted with a two-step manual lift mechanism, which enables you to switch between free arm and flatbed sewing positions easily.
- 3 Conveniently folds down to a slim 4 ½" depth, allowing for easy storage under a bed, behind a door, or in any space where you might keep an ironing board.
- 4 Wide locking legs provide a stable foundation and ample legroom.
- 5 Comes with securing straps for convenient storage and portability.
- 6 Our inset, cut to fit your make and model of sewing machine, is included!



For more delivery info please see pg.39.

Delivered fully assembled

29



Waterfall design seat eases pressure on the back of the thighs, promoting good circulation and better posture.



Air-lift adjustment



3 lever adjustment



Ask us about our fabric swatches, see pg. 39 for our contact details



Standard Hobby Chair seen alongside our Hideaway MK-2



Our Tall Hobby Chair seen alongside our Maxi Hobby Table



HOBBY CHAIR

The Horn Hobby Chairs offer a sculpted, deeply padded seat and back with a contoured lumbar support that will allow you to achieve your perfect sitting position. Easily adjust its height using the air-assisted elevator and its compact castor base allows for easy access into your sewing cabinet.

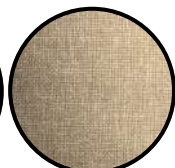
Available in:



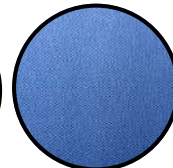
Habby Peach



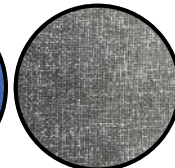
Fun Sewing



Sandstone



Adriatic Blue



Charcoal

TALL HOBBY CHAIR

Recommended for taller pieces such as the Sewer's Vision, Maxi Hobby Table, Cut Easy Mk-2 and the Compact Hi-Lo.

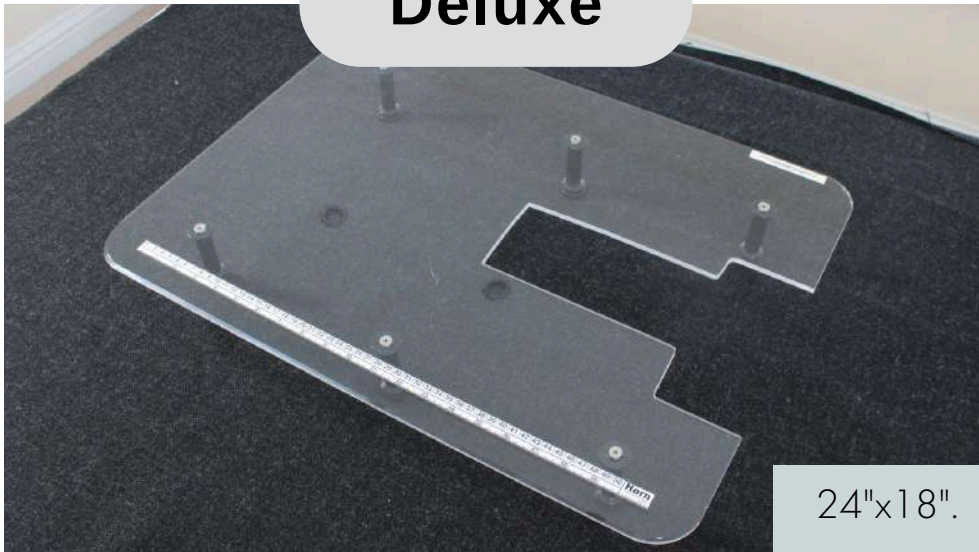
All the features of the Hobby Chair, but taller! This chair is not exclusively designed for tall individuals; it is crafted to accommodate sitting at either a sewing cabinet height (approximately 29-30 inches) or a standing height surface (approximately 35-36 inches). However, we do understand that everyone is unique and these heights may not be suitable for all. If the ability to sit at both heights is crucial for your purchase, we recommend trying out the chair beforehand to ensure it meets your needs.

Standard



22"x11 3/4".

Deluxe



24"x18".

- 1 Made using tough, durable, 6mm acrylic.
- 2 Can be custom-cut to fit almost all domestic sewing machines past & present.
- 3 Fitted with adjustable legs that can be adjusted to level the table perfectly with the arm of your sewing machine.



EXTENSION TABLES

These portable adapters allow you to extend the worksurface of your sewing machine.



Every crafter, sewer, or creative enthusiast understands the importance of a high-quality cutting mat in their sewing room. Safeguard your furniture and workspace with a Horn cutting mat, offered in three different sizes.

Our huge cutting mat is tailor made to fit our HI-LO MK-3 but can be purchased separately for use on a table of your choice. At a whopping 100 x 150cm and 3cm thick, it is ideal for all types of cutting, including rotary.

Our cutting mats, featuring a convenient carry handle, are available in two sizes: A1 and A2. These high-quality mats are self-healing and have a sturdy 3cm thickness.

All mats are double-sided, one side metric and the other imperial.

SCISSORS & CUTTING MATS

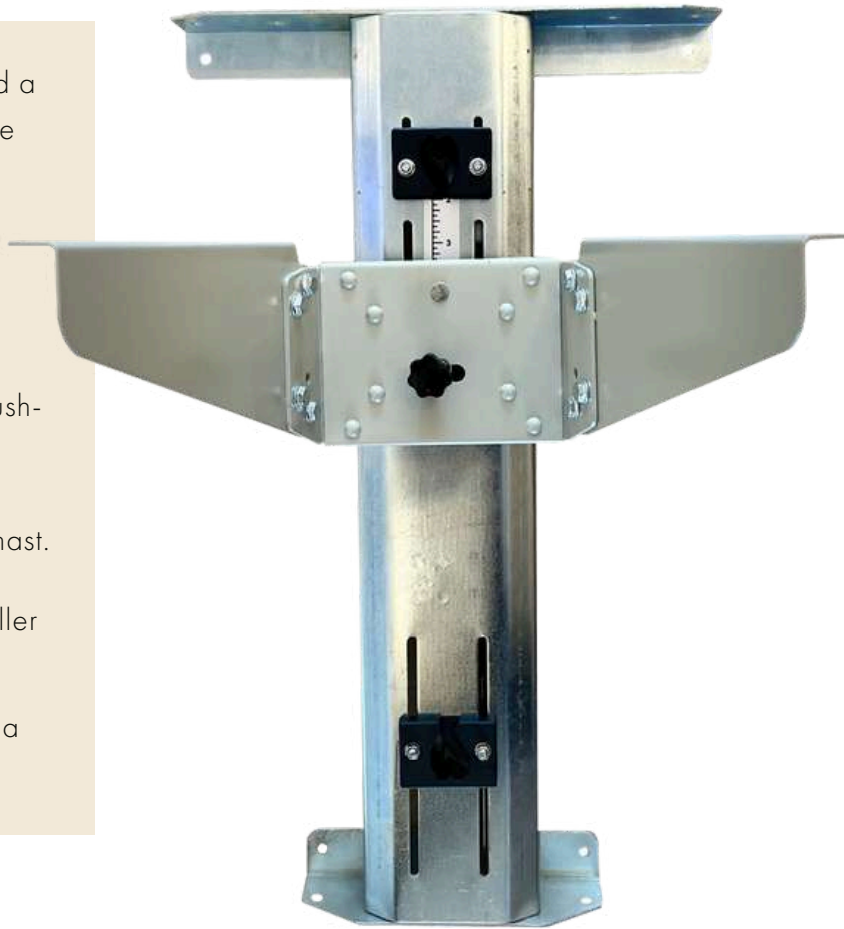
A cut above the rest...

The German stainless steel scissors are exceptionally durable and of high quality, crafted to precise standards to cut all the way to the tip they provide a delightful user experience every time.

Our scissors are designed to surpass customer expectations, with a Rockwell hardness scale rating of 55. Perfect for various crafting needs and easy fabric cutting, once you try them, you won't go back to using anything else!



- 1 Enhanced with a deeper drop and a stronger gas lifter to accommodate larger, taller, and heavier sewing machines.
- 2 Smooth and simple to operate.
- 3 3 adjustable stop positions with push-down release mechanism.
- 4 Durable zinc plated finish on the mast.
- 5 Solid movement on 8 steel ball roller bearings.
- 6 Can be purchased separately for a project of your own.



Stored position



Inset/Insert position (flat-bed)



Table-top position (free-arm)

Our lifter system is able to lift almost all domestic sewing machines, old or new.

The 3-step air lift allows you to go between free arm, flat bed and storage positions.

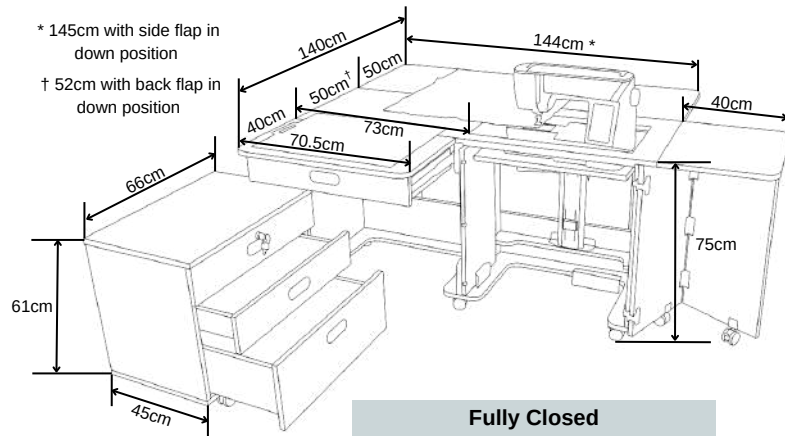
AIR-LIFTER

You need never lift or carry your sewing machine again.

It couldn't be easier or more effective, simply push down on the top of your sewing machine and it will lift your machine to a pre-set position adjusted by you.

SIZE GUIDE

Super Q MK-2



Fully Closed

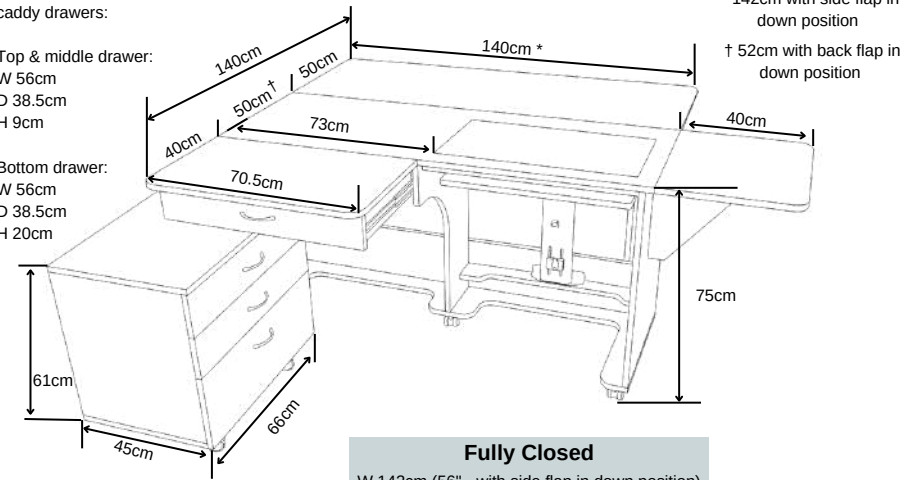
W 145cm (57" - with side flap in down position)
D 52cm (20 ½" - including drop leaf flap down)
H 75cm (29 ½")

Super Q

Internal dimensions of the caddy drawers:

Top & middle drawer:
W 56cm
D 38.5cm
H 9cm

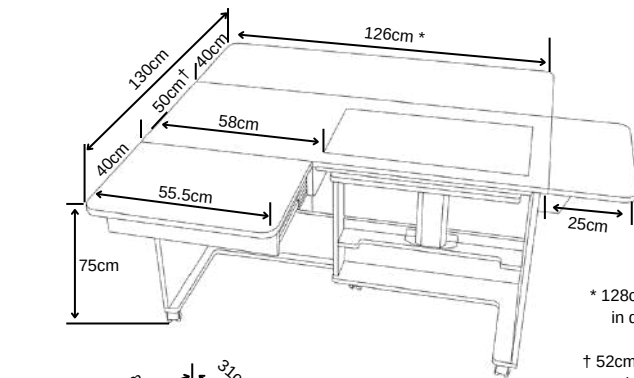
Bottom drawer:
W 56cm
D 38.5cm
H 20cm



Fully Closed

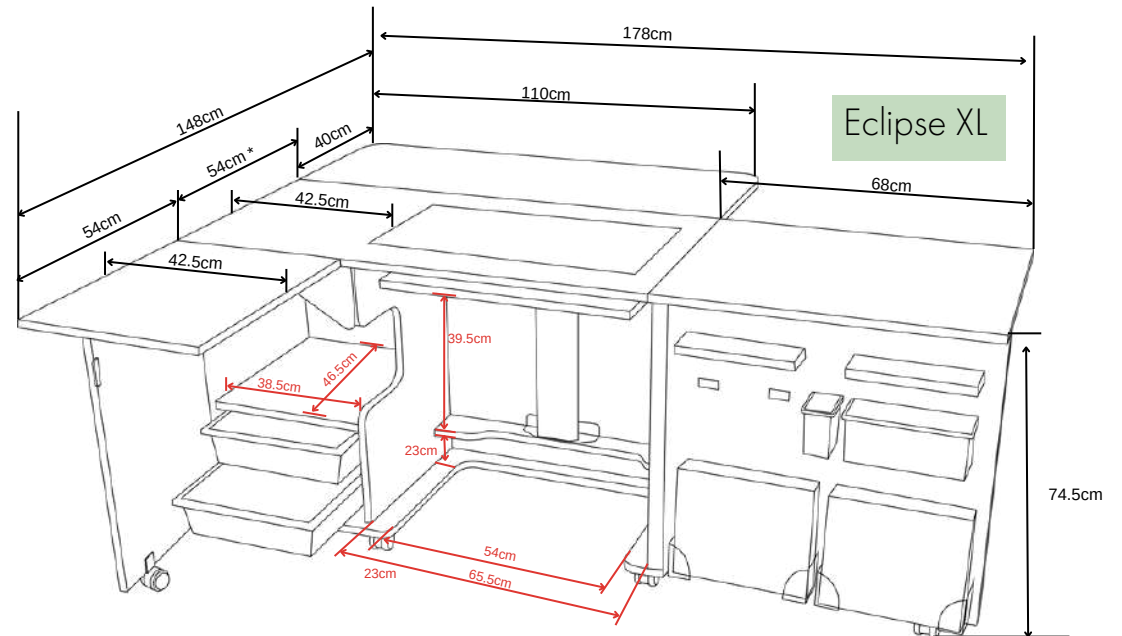
W 142cm (56" - with side flap in down position)
D 52cm (20 ½" - including drop leaf flap down)
H 75cm (29 ½")

Quilter's Delight MK-2



Fully Closed

W 128cm (50 ½" - with side flap in down position)
D 52cm (20 ½" - including drop leaf flap down)
H 75cm (29 ½")

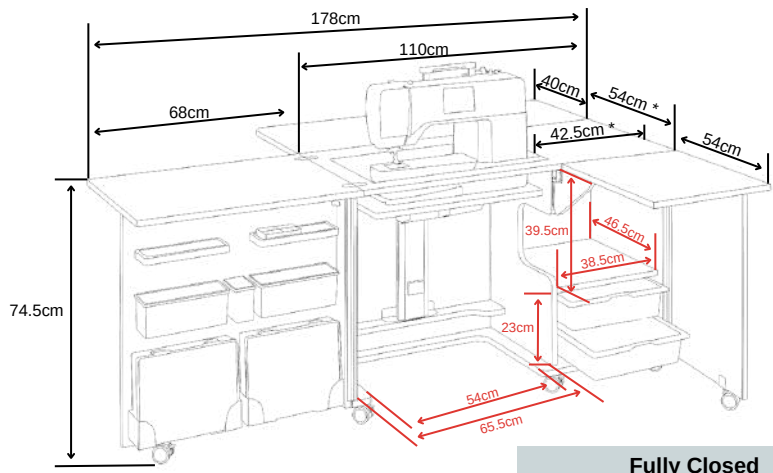


Eclipse XL

Fully Closed

W 110cm (43 ¼")
D 56cm (22" - including drop leaf flap down)
H 76cm (30")

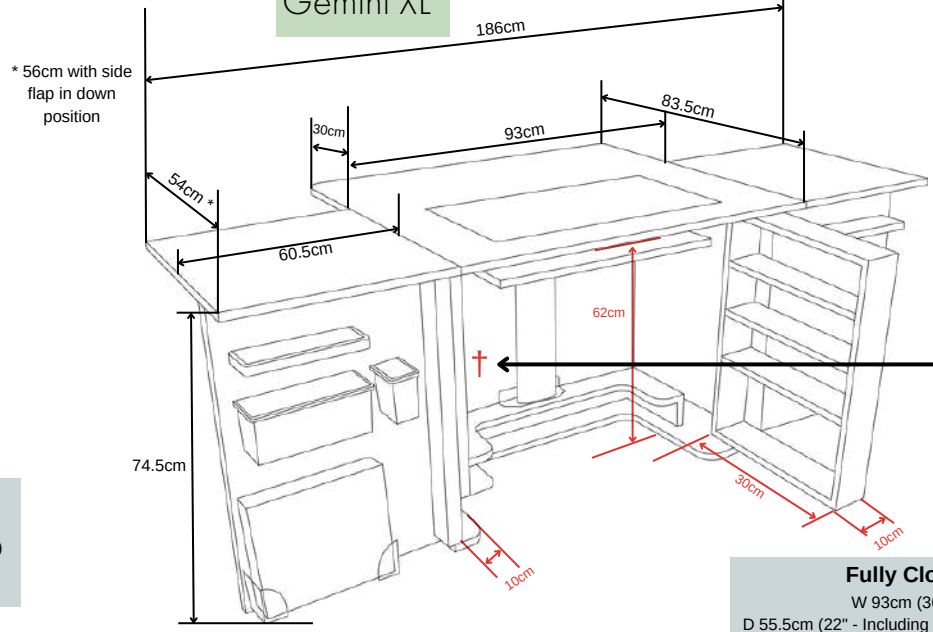
Nova XL



Fully Closed
 W 110cm (43 1/4")
 D 56cm (22" - Including drop leaf flap down)
 H 76cm (30")

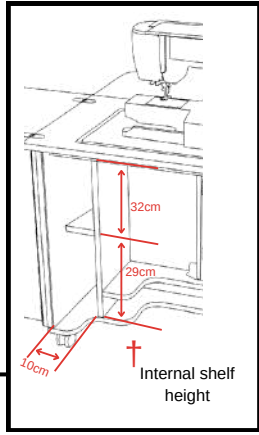
* 56cm with back flap in down position

Gemini XL



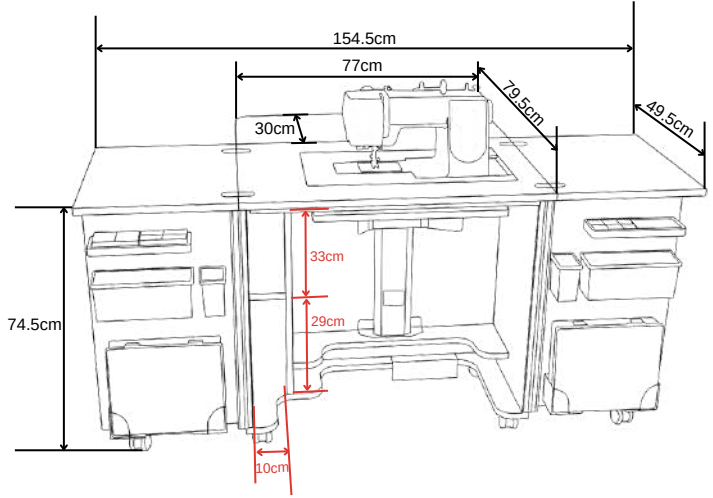
Fully Closed
 W 93cm (36 1/2")
 D 55.5cm (22" - Including drop leaf flap down)
 H 76cm (30")

* 56cm with side flap in down position



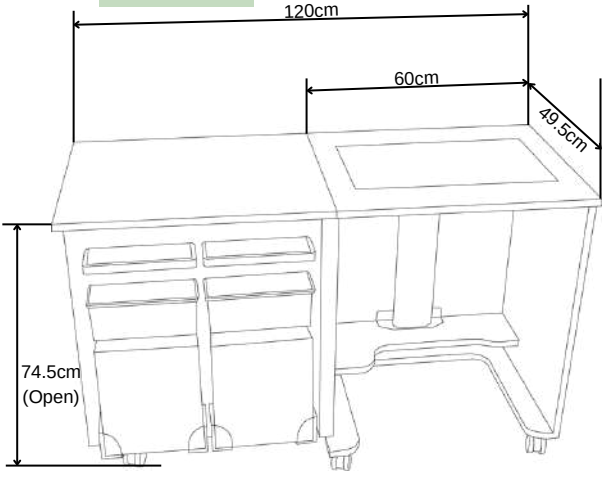
Internal shelf height

Gemini



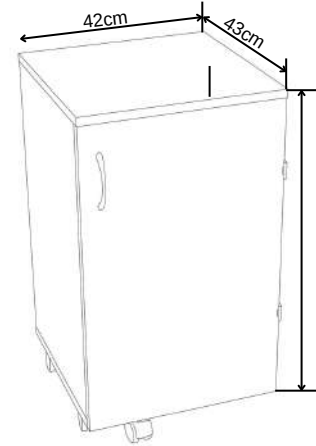
Fully Closed
 W 77cm (30 1/4")
 D 51.5cm (20 1/2" - Including drop leaf flap down)
 H 76cm (30")

Cub Plus



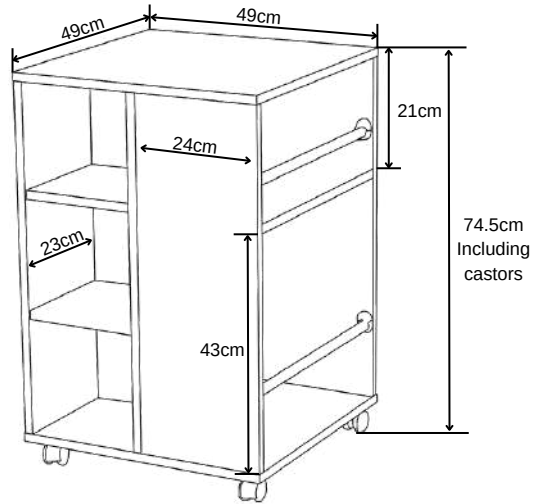
Fully Closed
 W 60cm (23 3/4")
 D 49.5cm (19 1/2")
 H 76cm (30")

Rolla Storage

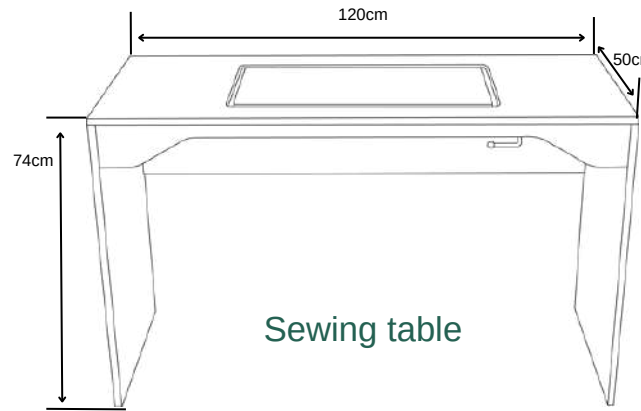


Closed
 W 42cm (16 1/2")
 D 43cm (16 3/4")
 H 74.5cm (29")

Craft Cube

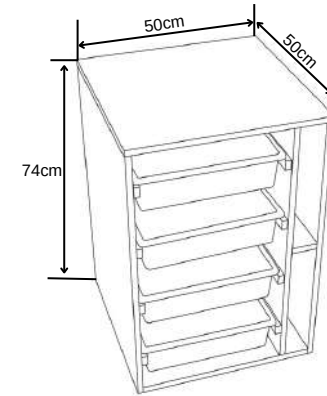


The Elements

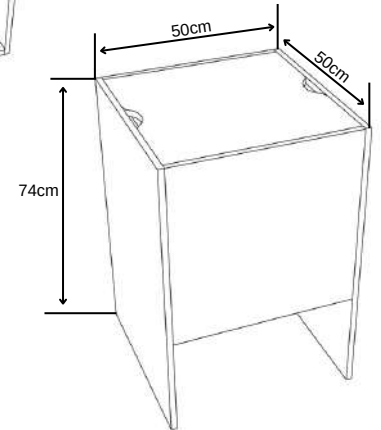


Sewing table

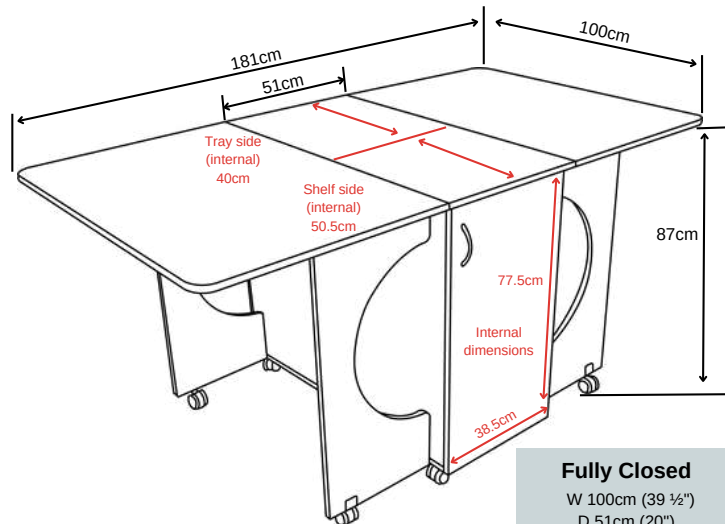
Drawer Unit



Storage Chest



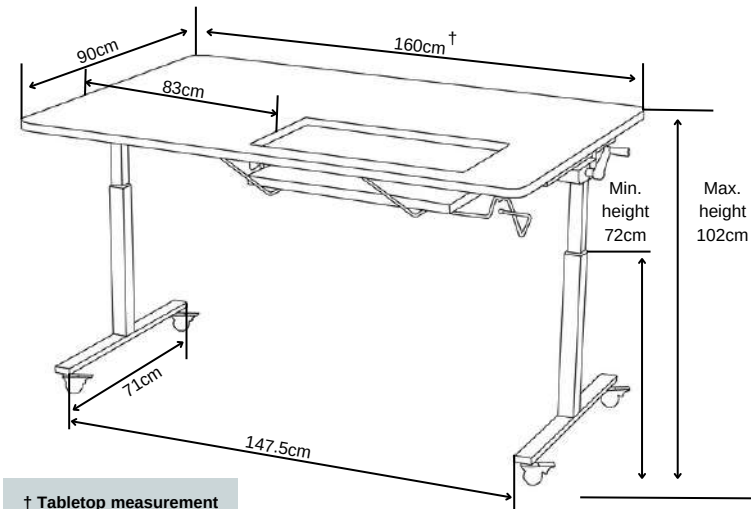
Maxi Hobby Table



Fully Closed

W 100cm (39 1/2")
D 51cm (20")
H 87cm (34 1/4")

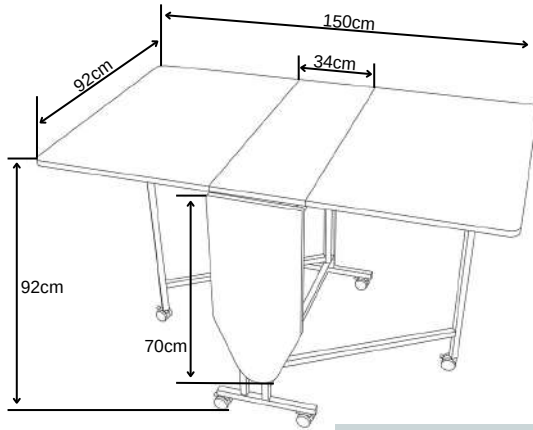
Sewer's Vision



† Tabletop measurement

Full width with:
Handle down 166cm (65")
Handle up 173cm (68")

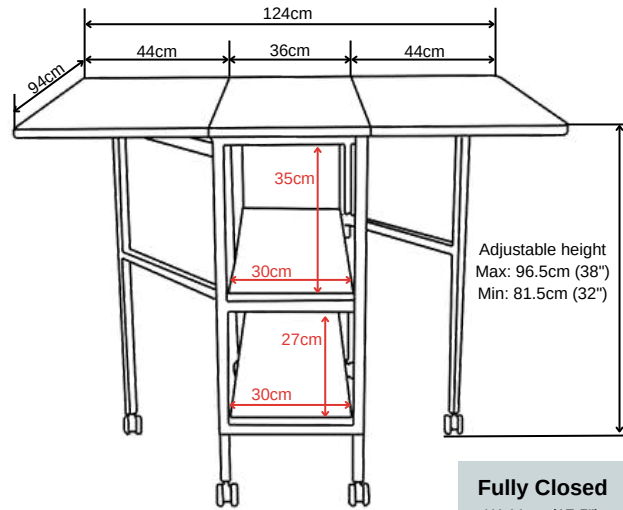
Cut Easy MK-2



Fully Closed

W 94cm (37" - Including pressing board in down position)
 D 34cm (13 1/2")
 H 92cm (36 1/4")

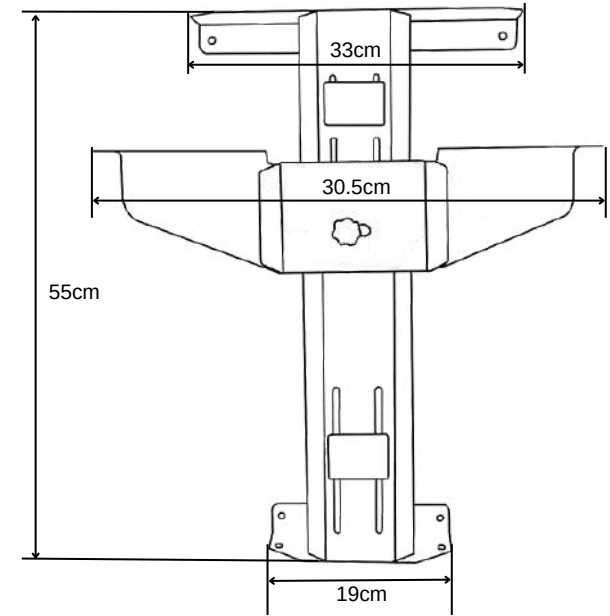
Compact Hi-Lo



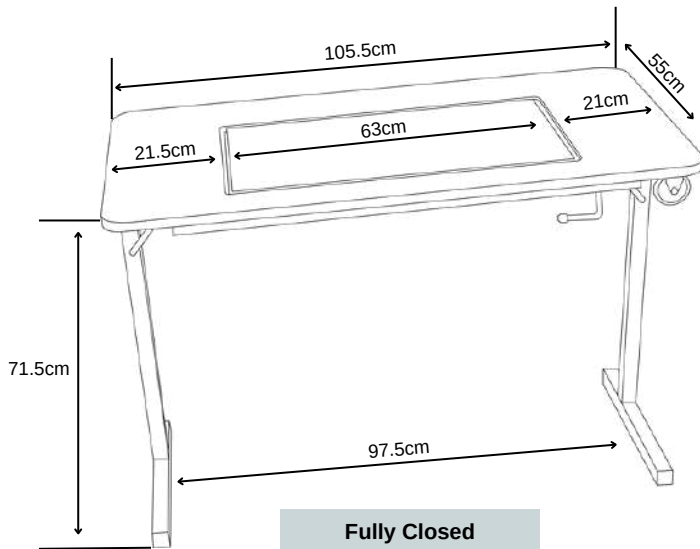
Fully Closed

W 44cm (17.5")

Air Lifter



Hideaway MK-2

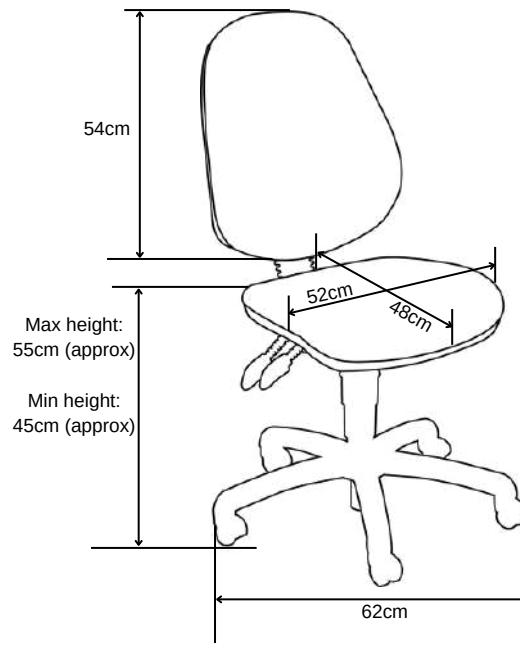


Fully Closed

W 105cm (41 1/2")
 D 55cm (21 1/2")
 H 11.5cm (4 1/2")

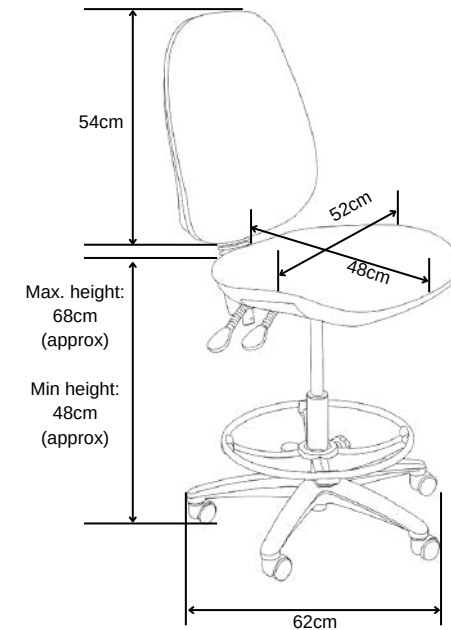
Hobby Chair

All dimensions are approximate



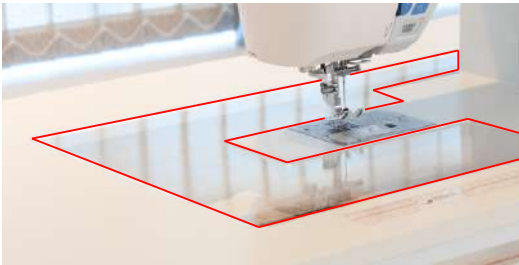
Tall Hobby Chair

All dimensions are approximate



INSERTS AND INSETS

Bought a new sewing machine?
You'll need one of these!



New flat-bed inserts or insets come in two forms: uncut to fill the aperture/opening or cut to match your sewing machine's specifications. With various insert/inset options available, make sure to have the measurements of your cabinet opening ready when ordering.

Colour sample swatches are available by request

Measurements we require in order to supply you with the correct insert/ inset fitting

Width of opening

Length of opening



The information we require when placing your order is as follows:

- The make/brand and model number or name of your sewing machine.
- The length and width of the aperture/opening in the top of your cabinet.
- The type of fitting you require i.e. **insert (which has a lip around the edge to keep it in place and prevent it from falling through the opening)** or an **inset (the newer style with no lip which typically sits on a ledge or on holders inside the opening)**.
- Any information labelled on your old insert/inset as this will help us to provide you with the correct size. For further assistance, please contact us via info@hornfurniture.co.uk or 01793 834304

Below are the different types of Insert/Inset that we offer:

Inserts (all prices include postage and packaging)

- 1925 (Hide-away MK1) **£46.95** (300 x 285mm approx.)
- 1927 (Standard) **£59.95** (480 x 285mm approx.)
- 1929 (Long) **£64.95** (530 x 285mm approx.)
- 1932 (Maxi insert) **£94.95** (615 x 325mm approx.)

Insets (all prices include postage and packaging)

- 1939 (Nova) **£79.95** (545 x 300mm approx.)
- 1942 (QD Mk2, etc) **£79.95** (615 x 330mm approx.)
- 1952 (Maxi inset) **£79.95** (625 x 339mm approx.)
- 1962 (SuperMaxi inset) **£119.95** (790mm x 375 approx.)
- 1972 (New Cub inset) **£79.95** (480 x 285mm approx.)
- 1992 (New Gemini Inset) **£79.95** (530 x 285mm approx.)
- 1942 US (New Element) **£79.95** (615 x 320mm approx.)

Flatbed adapter kit (all prices include postage and packaging)

- 1928 (Only suitable for 480 & 530mm openings) **£59.95**

Flatbed extension table adapter with adjustable legs; cut to fit your sewing machine. Page 37. (560 x 300mm table size approx.) **£89.95**

Deluxe flatbed extension table adapter with adjustable legs; cut to fit your sewing machine. Page 37. (600 x 450mm table size approx.) **£139.95**

Please note: We can only make insets / inserts to fit Horn sewing cabinets sold here in the UK.

DELIVERY

Horn pride themselves on delivering orders within a 4-5 week timescale, utilising our own drivers and vehicles. If we encounter exceptional circumstances and cannot meet this delivery timescale, we will inform you in advance. Once your order is ready to be dispatched, we will inform you a minimum of 3 days prior to delivery and provide you with a 3-hour delivery window.

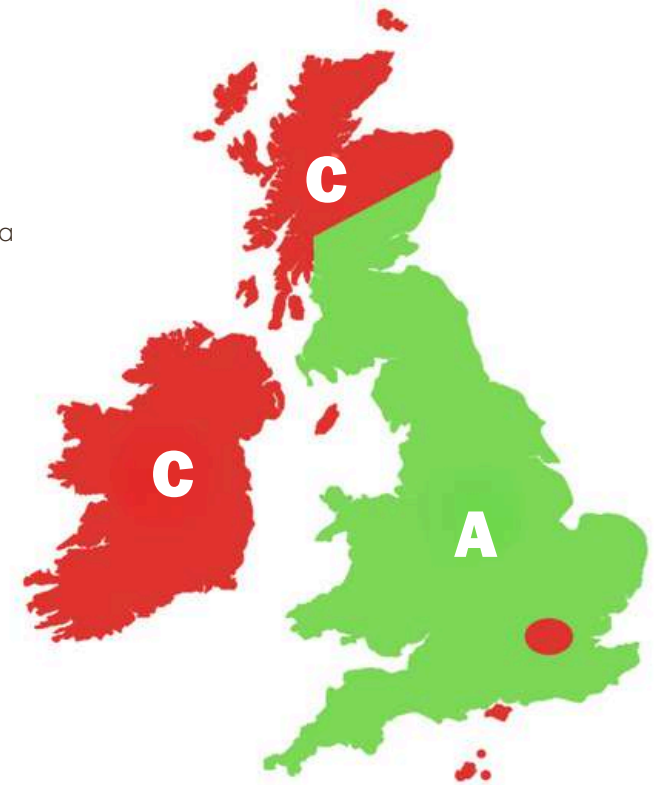
Should you require a 7-10 day delivery from available stock, please advise us when you place your order. We will book an external courier at an additional cost, however installation will not be available when using this service.

Note: Installation is not available for deliveries made in Zone C on the map shown below. Contact us via info@hornfurniture.co.uk for more information on this service or for a tailored quote.

Additional delivery notes:

- Our drivers carry out lone-working and therefore, carrying cabinets up internal staircases is performed at the drivers discretion.
- If you would like to confirm in advance that your cabinet can be carried upstairs, please email us photographs of your staircase and we'll confirm if it is possible.
- We will not remove a Horn cabinet from its box to transport it upstairs.
- Please ensure stairways are free of obstruction prior to delivery.
- Unfortunately, our drivers may not be able to carry the Super Q Mk2, Super Q or Maxi Hobby Table up internal stairways due to size. Please call us on (+ 44) 01793 834304 when making your order to discuss the delivery.
- *If you are unsure whether the product you wish to order is compatible with your sewing machine please call us on (+ 44) 01793 834304 or email us via info@hornfurniture.co.uk*

Our delivery fleet providing exceptional delivery and installation service.

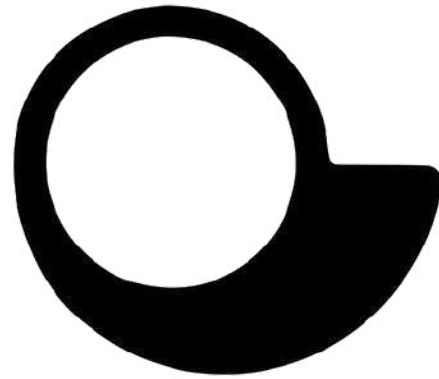


Zone A £29.00

Zone C Price on request*

*Installation service not available in Zone C
Zone C charge in London applies to an address inside the congestion charge zone





Horn

**Crafting...Quilting...Sewing
Furniture**

We would love your feedback so please get in touch by scanning the QR code or by using our contact details at the bottom of the page.



Scan Me

To find out where your nearest Horn outlet is or for more product information please contact:

Horn Furniture (UK) Limited,
Unit 12, Oaktree Business Centre,
Spitfire Way, South Marston Park,
Swindon, SN3 4TX.

Tel: (+ 44) 01793 834304
Email: info@hornfurniture.co.uk
Web: www.hornfurniture.co.uk
www.hornessentials.co.uk



Dealers Stamp

If you would like to see any of our products before you purchase, but can't make it to one of our shows, you can now come and view what we have at our showroom located near our Head Office in Swindon, however viewings are by appointment only so if you'd like to visit please contact us via phone, email or fill out the booking form on our website.