

2024 - 2025

Horn

Electric Supplement

“ Good design stands the test of time ”



Scan me with your
phone for our website



NEW!
Easy to use
electric lift!

HORN 860

An electrifying addition!

We are proud to introduce our newest modular range! With an electric lift it's never been easier to set up your crafting space.

The main bi-folding door slides open and slots into the side to reveal three integrated shelves and a clever space at the back to hold either the inset or colour-matched filler piece.

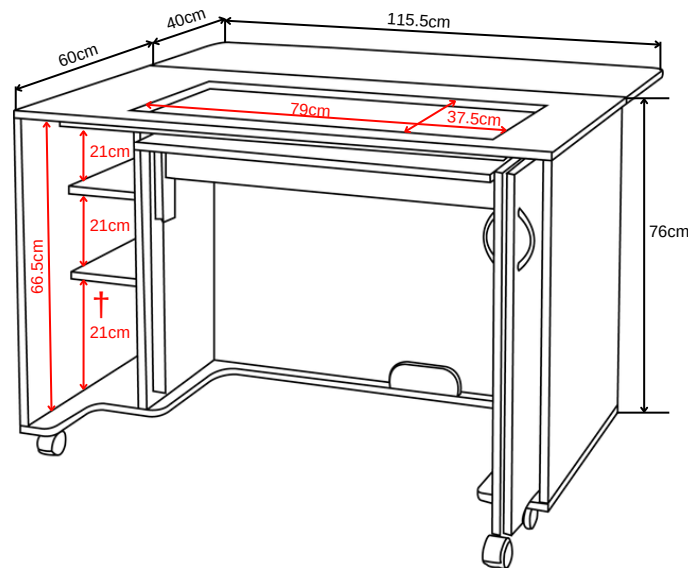


This cabinet in combination with either our modular 5-Drawer Caddy (pg.5) or our Overlocker Caddy (pg.3-4) or both together will give you an unrivalled sewing experience.



The electric lift is easily programmable, able to remember up to 3 different positions.

Our largest ever aperture! This is our SuperMaxi opening, and can accommodate even the largest of domestic sewing machines, such as the Janome Continental Series, Husqvarna Epic 3, Brother Luminaire, etc.



Fully Closed
 W 115.5cm (45 1/2")
 D 60cm (24")
 H 76cm (30")

† Shelf heights are adjustable

- 1 Electric lift raises and lowers your sewing machine at the touch of a button.
- 2 Internal, adjustable shelves for your tools and accessories, and storage for the aperture inset & top filler board.
- 3 Robust lockable castors allow easy mobility.
- 4 Rear leaf opens up to provide even more working space behind your machine.
- 5 Compact, sleek finish.



Need a chair?
 See pg.30 of the main brochure for more information

Available in:



White



HORN OVERLOCKER CADDY

The Horn Overlocking Caddy is an amazing blend of storage and expandable workspace!

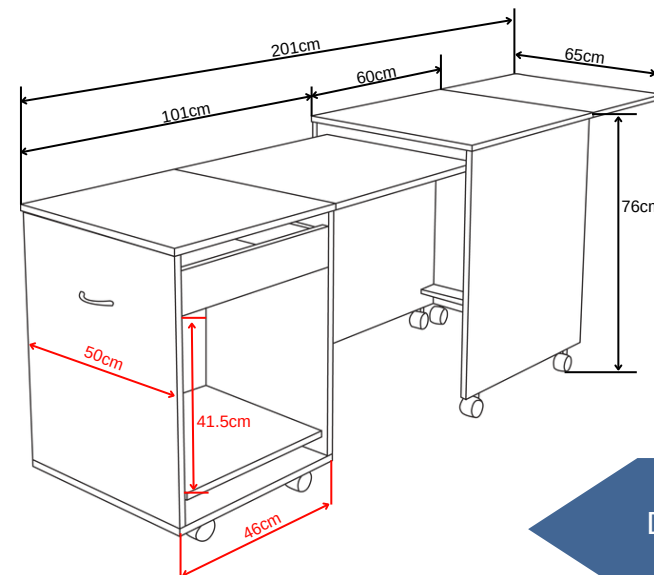
Not only does the rear leaf open up, the unit itself can extend to give you that extra surface space you need.



The slide out tray & drawer can be assembled so that it is accessible from either side of the cabinet, just let us know when you order which side you want to access your machine from.

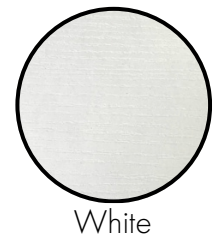
Fully Closed

W 65cm (25 1/2")
D 60cm (24")
H 76cm (30")



- 1 Expandable worksurface that retracts to fit in practically any space.
- 2 Convenient sliding shelf to store your Overlocker and also a drawer for accessories.
- 3 Robust, lockable castors allow easy mobility.
- 4 Modular caddy can fit with the Horn 860 and Drawer Caddy to create a huge, seamless worksurface.
- 5 Sleek, clean finish.

Available in:



Delivered fully assembled

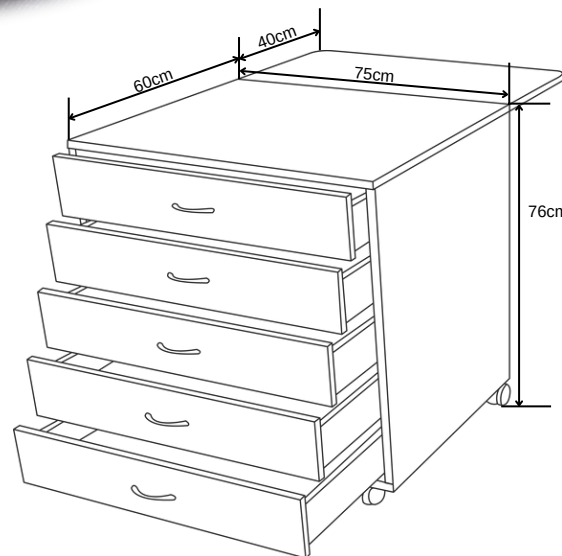


The new Horn Drawer Caddy offers you a huge amount of storage with five spacious drawers, and the rear leaf opens up to give you more surface area to work with. Combined with the other units, this creates a huge workspace that can accommodate virtually any project!

Robust lockable castors for easy mobility, allowing you to rearrange your studio or the configuration of your units as you like.

- 1 Large drawers can store your sewing notions, fabrics and accessories.
- 2 Gives the user extra workspace via a leaf that opens at the rear of the unit.
- 3 Robust, lockable castors allow easy mobility.
- 4 Pairs perfectly with the Horn 860 and the Overlocker Caddy to create a huge, seamless workspace.
- 5 Sleek, clean finish.

HORN DRAWER CADDY



Fully Closed

W 75cm (29 ½")
D 60cm (24")
H 76cm (30")

Drawers internal dimensions

W 65.5cm (26")
D 43.5cm (17")

Available in:



White



THE TASMAN

This unit is a fantastic all-rounder in our Electric range. It combines our new electric lift with a huge amount of workspace and ample storage for your accessories, fabric and embroidery hoop.

Available in:



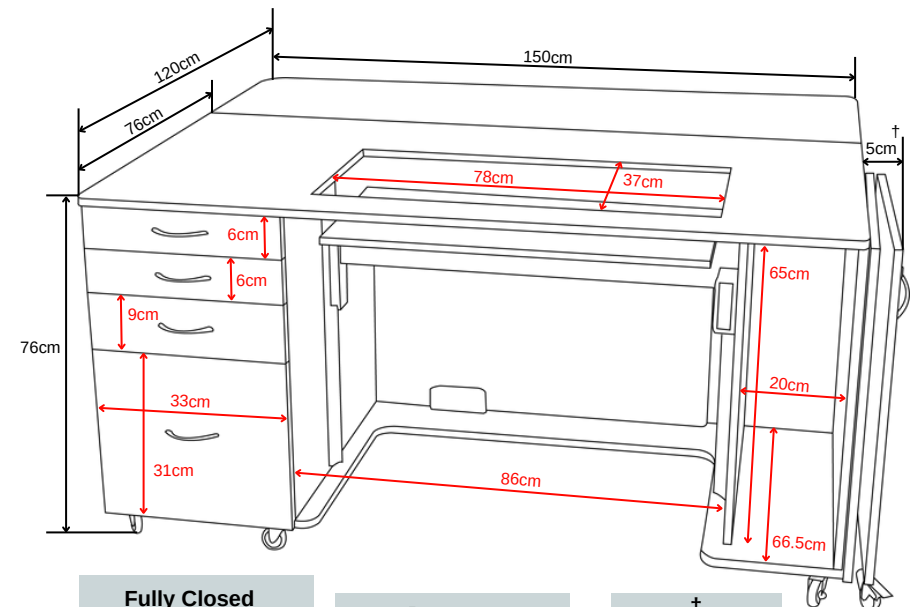


- 1 Robust, lockable castors allow easy mobility.
- 2 Integrated storage for your embroidery hoop or other large accessories.
- 3 Deep integrated drawers can store accessories, notions and fabric.
- 4 SuperMaxi opening can take the largest of domestic sewing machines
- 5 Overhanging lip allows your fabric to hang without catching.



With the rear leaf open there is enough space to accommodate our Huge Cutting Mat!

The deep body of the Tasman allows for ample legroom which means you can sit closer to, and work more comfortably with, your machine.



Fully Closed
 W 150cm (59")
 D 74cm (29")
 H 76cm (30")

Drawers
 D 45cm (18")

†
 Without key 5cm (2")
 With key 7cm (2 ¾")

INSERTS AND INSETS

Bought a new sewing machine?
You'll need one of these!



New flat-bed inserts or insets come in two forms: uncut to fill the aperture/opening or cut to match your sewing machine's specifications. With various insert/inset options available, make sure to have the measurements of your cabinet opening ready when ordering.

The information we require when placing your order is as follows:

- The make/brand and model number or name of your sewing machine.
- The length and width of the aperture/opening in the top of your cabinet.
- The type of fitting you require i.e. **insert (which has a lip around the edge to keep it in place and prevent it from falling through the opening)** or an **inset (the newer style with no lip which typically sits on a ledge or on holders inside the opening)**.
- Any information labelled on your old insert/inset as this will help us to provide you with the correct size. For further assistance, please contact us via info@hornfurniture.co.uk or 01793 834304

Below are the different types of Insert/Inset that we offer:

Inserts (all prices include postage and packaging)

- 1925 (Hide-away MK1) **£46.95** (300 x 285mm approx.)
- 1927 (Standard) **£59.95** (480 x 285mm approx.)
- 1929 (Long) **£64.95** (530 x 285mm approx.)
- 1932 (Maxi insert) **£94.95** (615 x 325mm approx.)

Insets (all prices include postage and packaging)

- 1939 (Nova) **£79.95** (545 x 300mm approx.)
- 1942 (QD Mk2, etc) **£79.95** (615 x 330mm approx.)
- 1952 (Maxi inset) **£79.95** (625 x 339mm approx.)
- 1962 (SuperMaxi inset) **£119.95** (790mm x 375 approx.)
- 1972 (New Cub inset) **£79.95** (480 x 285mm approx.)
- 1992 (New Gemini Inset) **£79.95** (530 x 285mm approx.)
- 1942 US (New Element) **£79.95** (615 x 320mm approx.)

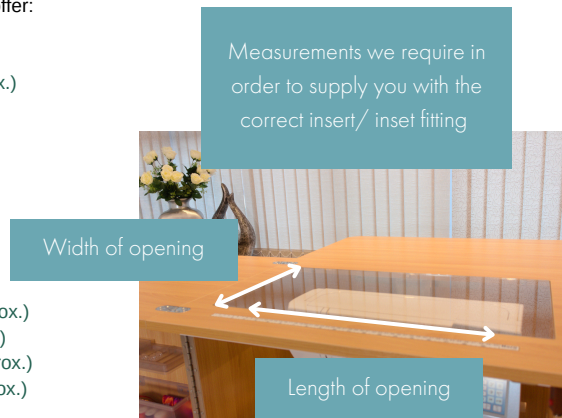
Flatbed adapter kit (all prices include postage and packaging)

- 1928 (Only suitable for 480 & 530mm openings) **£59.95**

Flatbed extension table adapter with adjustable legs; cut to fit your sewing machine. Page 37. (560 x 300mm table size approx.) **£89.95**

Deluxe flatbed extension table adapter with adjustable legs; cut to fit your sewing machine. Page 37. (600 x 450mm table size approx.) **£139.95**

Please note: We can only make insets / inserts to fit Horn sewing cabinets sold here in the UK.



DELIVERY

Horn pride themselves on delivering orders within a 4-5 week timescale, utilising our own drivers and vehicles. If we encounter exceptional circumstances and cannot meet this delivery timescale, we will inform you in advance. Once your order is ready to be dispatched, we will inform you a minimum of 3 days prior to delivery and provide you with a 3-hour delivery window.

Should you require a 7-10 day delivery from available stock, please advise us when you place your order. We will book an external courier at an additional cost, however installation will not be available when using this service.

Note: Installation is not available for deliveries made in Zone C on the map shown below. Contact us via info@hornfurniture.co.uk for more information on this service or for a tailored quote.

Additional delivery notes:

- Our drivers carry out lone-working and therefore, carrying cabinets up internal staircases is performed at the drivers discretion.
- If you would like to confirm in advance that your cabinet can be carried upstairs, please email us photographs of your staircase and we'll confirm if it is possible.
- We will not remove a Horn cabinet from its box to transport it upstairs.
- Please ensure stairways are free of obstruction prior to delivery.
- Unfortunately, our drivers may not be able to carry the Super Q Mk2, Super Q or Maxi Hobby Table up internal stairways due to size. Please call us on (+ 44) 01793 834304 when making your order to discuss the delivery.
- If you are unsure whether the product you wish to order is compatible with your sewing machine please call us on (+ 44) 01793 834304 or email us via info@hornfurniture.co.uk



Our delivery fleet providing exceptional delivery and installation service.

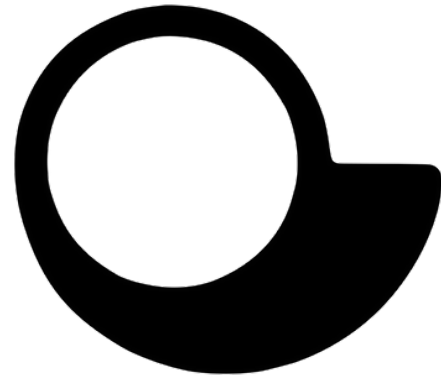
Zone A £29.00

Zone C Price on request*



*Installation service not available in Zone C

Zone C charge in London applies to an address inside the congestion charge zone



Horn

Crafting...Quilting...Sewing
Furniture

We would love your feedback so please get in touch by scanning the QR code or by using our contact details at the bottom of the page.



Scan Me

To find out where your nearest Horn outlet is or for more product information please contact:

Horn Furniture (UK) Limited,
Unit 12, Oaktree Business Centre,
Spitfire Way, South Marston Park,
Swindon, SN3 4TX.

Tel: (+ 44) 01793 834304
Email: info@hornfurniture.co.uk
Web: www.hornfurniture.co.uk
www.hornessentials.co.uk



Dealers Stamp

If you would like to see any of our products before you purchase, but can't make it to one of our shows, you can now come and view what we have at our showroom located near our Head Office in Swindon, however viewings are by appointment only so if you'd like to visit please contact us via phone, email or fill out the booking form on our website.