



THE TASMAN

This unit is a fantastic all-rounder in our Electric range. It combines our new electric lift with a huge amount of workspace and ample storage for your accessories, fabric and embroidery hoop.

Available in:

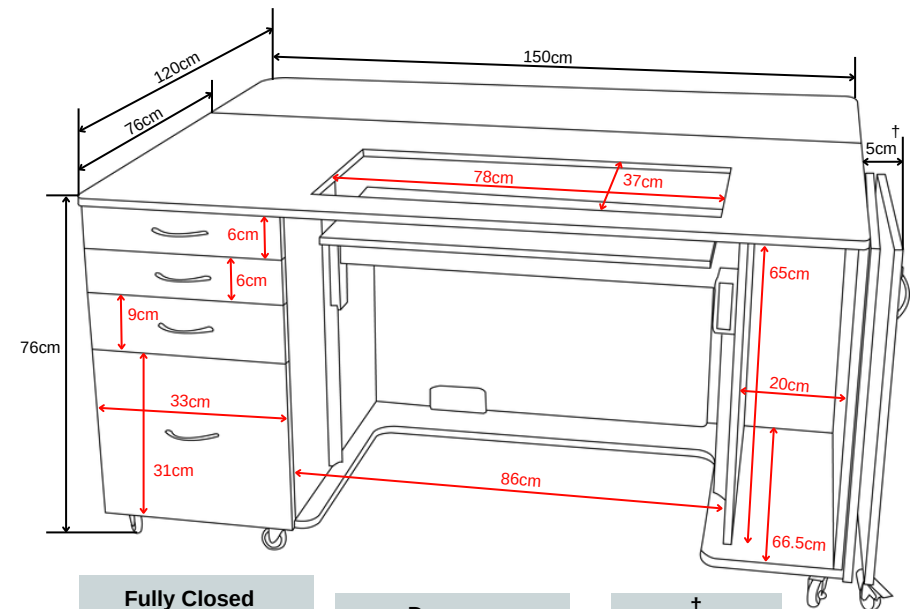




With the rear leaf open there is enough space to accommodate our Huge Cutting Mat!

The deep body of the Tasman allows for ample legroom which means you can sit closer to, and work more comfortably with, your machine.

- 1 Deep integrated drawers can store accessories, notions and fabric.
- 2 Integrated storage for your embroidery hoop or other large accessories.
- 3 Robust, lockable castors allow easy mobility.
- 4 SuperMaxi opening can take the largest of domestic sewing machines
- 5 Overhanging lip allows your fabric to hang without catching.



Fully Closed

W 150cm (59")
D 74cm (29")
H 76cm (30")

Drawers

D 45cm (18")

†
Without key 5cm (2")
With key 7cm (2 ¾")