

2025 - 2026

Horn

Electric Supplement

“ Good design stands the test of time ”



Please ask for our airlift brochure if required



I MAY BE
SMALL BUT I
HAVE **BIG**
IDEAS

THE GENI-E

The newest addition to the electric range, despite its compact size, offers more workspace where you need it by having a clever rear leaf folding system that doesn't compromise space or its optimised sitting position.

Internally there is a handy cable management system and plenty of removable door storage, including a holster idea for your favourite scissors, all within easy reach from your seat.

Available in:

-  Weathered Oak
-  American Grey Oak
-  Beech
-  White

The clever new rear leaf is supported by a gate leg which has an adjustable pop-up catch to lock the leg in place.



This new back leaf innovation, which offers support where you most need it, has a handy clip idea to attach the rear leaves together when stored.



- 1 New dual-motor electric lifter offers the ability to program 3 stopping positions of your choice whilst giving you the power to take the heaviest of domestic sewing machines with ease.
- 2 Fitted with our massive GE805 sized opening (for dimensions, see pg.8.)
- 3 Equipped with our new innovative extra rear leaf design, which offers better support for your fabrics behind your machine.
- 4 Lockable door for safety and security, as well as keeping sharp things away from little hands.
- 5 Comes equipped with soft rolling, lockable castors, the GENI-E is solid and still easily moveable.
- 6 Our new foot stop idea, that clips onto the base of your cabinet to create a barrier for your foot control to comfortably sit against and stay in place, is included.



Due to the size of this cabinet, we build it on site. Please see dimensions on page 8 before purchasing.



Electric lift controller

THE **TASMAN** ⚡

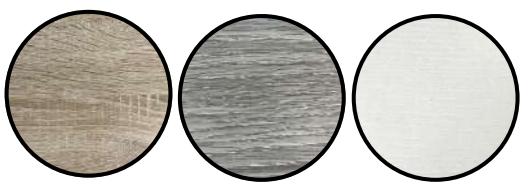
This unit is a fantastic all-rounder in our Electric range. It combines our electric lift with a huge amount of workspace and ample storage for your accessories, fabric, embroidery hoop and embroidery arms. Available in three different finishes allowing you to match it to your work space. This is the perfect workstation for the avid sewer, quilter and patchworker alike.



With the rear leaf up the workspace is huge, with even enough space to accommodate our unique huge cutting mat!



Available in:



Weathered Oak American Grey Oak White

1

Fitted with an electric lifter which allows for 3 programmable positions, and with the SuperMaxi opening can take any domestic sewing machine currently on the market.

2

Large integrated compartment to the right of your sewing machine that allows storage of your embroidery hoop/arm or other large accessories.

3

Deep, solid drawers can store accessories, notions and fabric.

4

Nine robust, semi-industrial (2 lockable) castors give you multiple points of contact with the ground giving great stability and mobility.

5

Features cable management both at the top and back of the cabinet, and crafted with soft rounded edges and an overhanging front edge to allow your fabric to hang without catching.



The deep body of the Tasman allows for ample legroom which means you can sit closer to, and work more comfortably with, your machine.





THE **ELECTRIC** MODULAR RANGE

Our combined Electric Modular Range allows you to create our biggest work surface ever! When combined the three units (the 860, Overlocker Caddy and the 5-Drawer Unit) give an unparalleled crafting space, allowing you to be surrounded by your project with everything within easy reach. Each of the units feature a rear folding leaf to maximise your workspace and all arrive in a clean, white ash, open grain finish.

This can be a mix and match affair! The configuration of your units is up to you, and can be put together in any way that creates your perfect workspace.

Available in:



White



OVERLOCKER CADDY

- 1 Expandable worksurface that slides back inside the main body allowing it to fit in practically any space.
- 2 Convenient sliding shelf to store your Overlocker and also a drawer for accessories.
- 3 Robust, lockable castors allow easy mobility.
- 4 Designed to fit with the 860 and Drawer Caddy to create a huge, seamless surface.
- 5 Supplied with a nifty pressing mat for your convenience.



HORN 860 ⚡

- 1 An easily programmable electric lift raises and lowers your sewing machine at the touch of a button, and can remember up to 3 different positions.
- 2 Internally there is a cable management system as well as adjustable shelves for your tools and accessories, and storage for the sewing machine inset & top filler board.
- 3 Robust lockable castors allow easy mobility and stability.
- 4 A rear leaf opens up to provide even more working space behind your machine.
- 5 When open the clever bi-folding door hides inside the unit, which means the cabinet doesn't get any wider.



5-DRAWER UNIT

- 1 5 large drawers can store all of your sewing notions, fabrics and accessories.
- 2 Gives the user extra worksurface via a leaf that opens at the rear of the unit.
- 3 Robust, lockable castors allow easy mobility.
- 4 Pairs perfectly with the 860 and Overlocker Caddy to create a huge, seamless surface.
- 5 Sleek, compact, with a clean finish.



The 860 is fitted with the SuperMaxi opening, which can accommodate even the largest of domestic sewing machines such as the Janome Continental Series, Husqvarna Epic 3, Brother Luminaire, Bernina 990, etc.

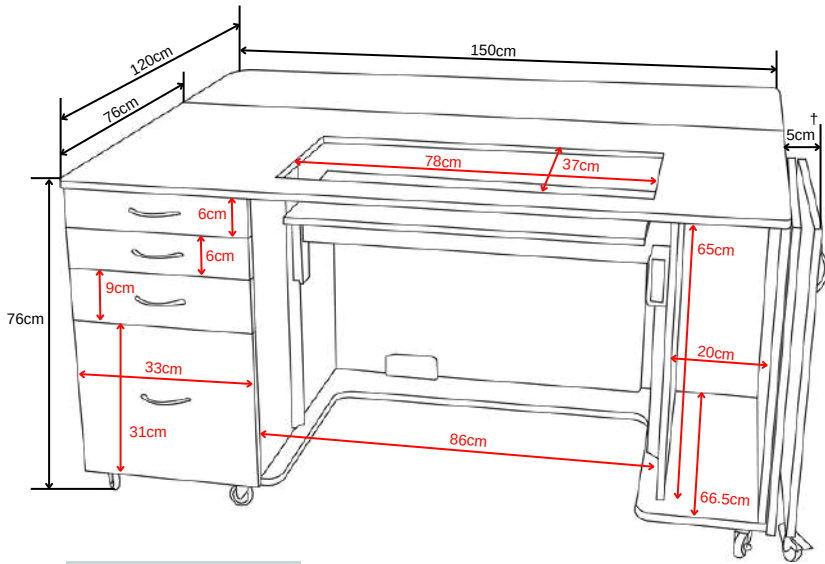
For opening dimensions, please see pg.8.



The slide out tray & drawer can be assembled so that it is accessible from either side of the cabinet, just let us know when you order which side you want to access your machine from and we can build it to suit.



The Tasman ⚡

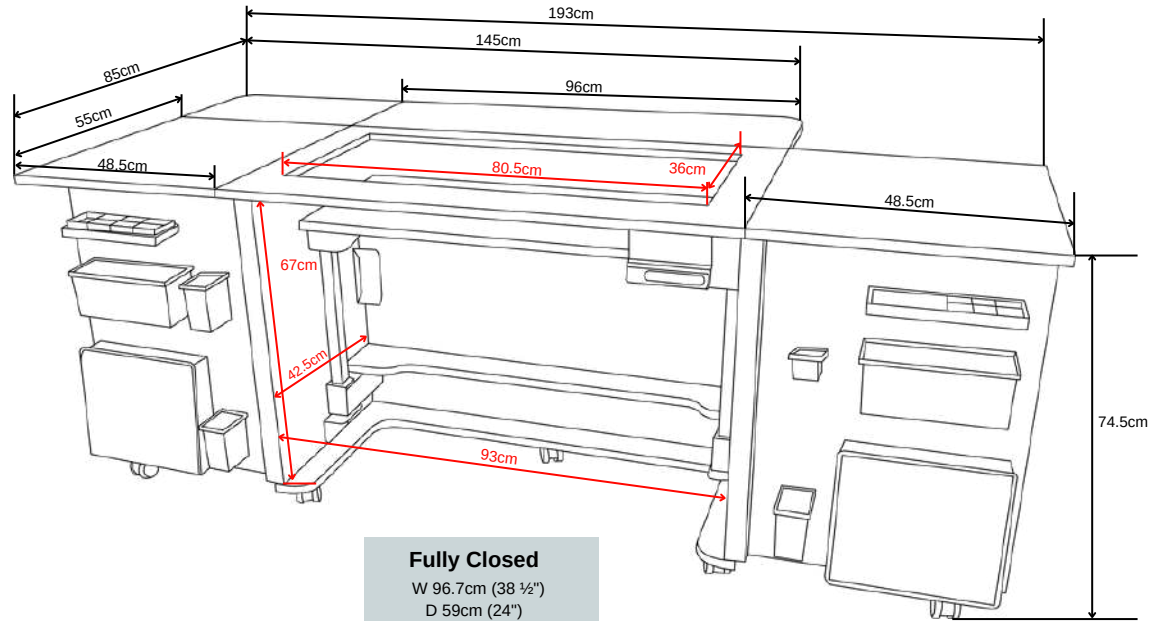


Fully Closed
 W 150cm (59")
 D 74cm (29")
 H 76cm (30")

Drawers
 D 45cm (18")

†
 Without key 5cm (2")
 With key 7cm (2 ¾")

The GENIE-E ⚡

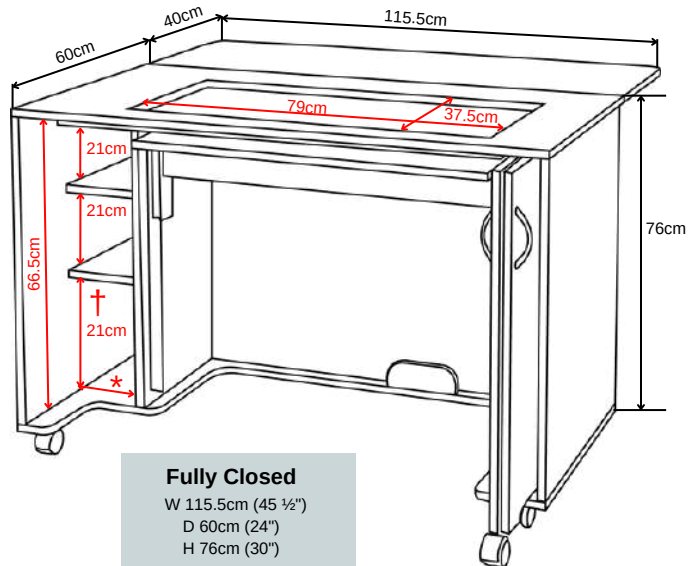


Fully Closed
 W 96.7cm (38 ½")
 D 59cm (24")
 H 76cm (30")



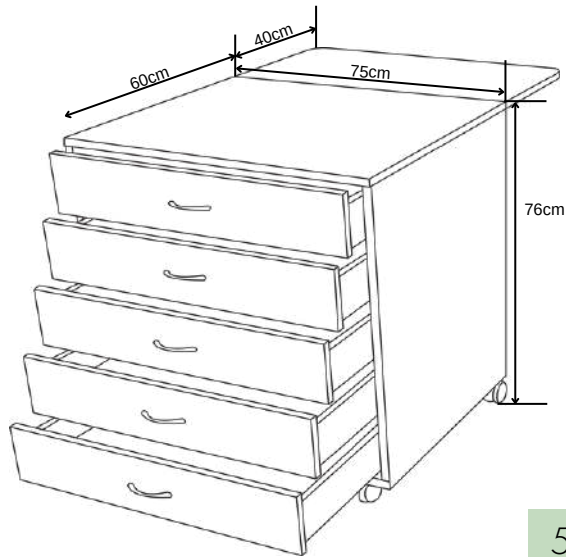
Need a chair?
 See pg.30 of the
 main brochure for
 more information

Horn 860 ⚡



Fully Closed
 W 115.5cm (45 ½")
 D 60cm (24")
 H 76cm (30")

† Shelf heights are adjustable
 * Width of all shelves is 16cm



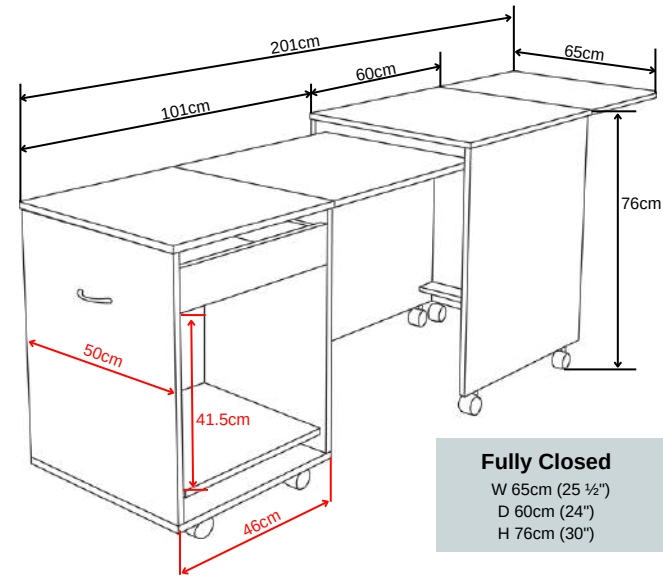
Fully Closed

W 75cm (29 1/2")
 D 60cm (24")
 H 76cm (30")

Drawers internal dimensions

W 65.5cm (26")
 D 43.5cm (17")

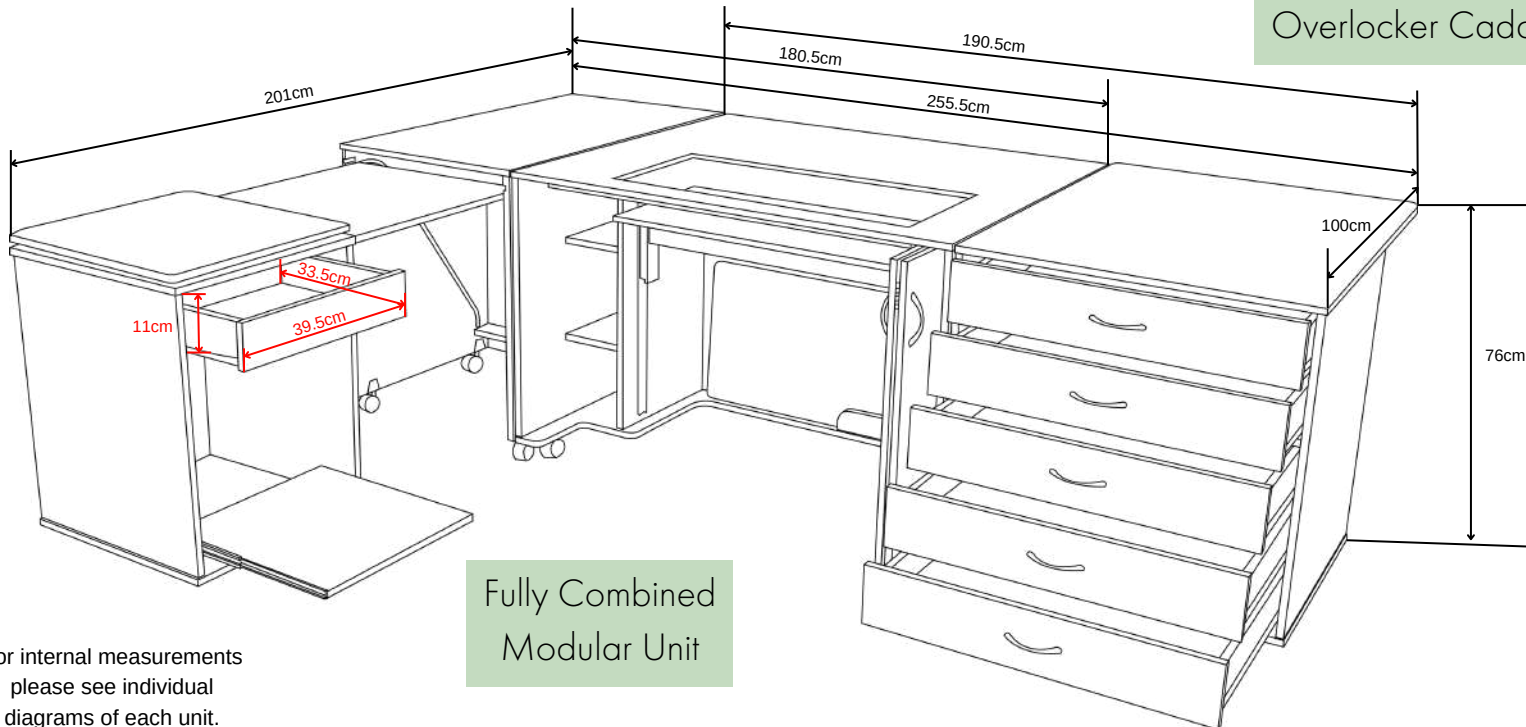
5-Drawer Unit



Fully Closed

W 65cm (25 1/2")
 D 60cm (24")
 H 76cm (30")

Overlocker Caddy



Fully Combined Modular Unit

For internal measurements please see individual diagrams of each unit.

DELIVERY

Horn pride themselves on delivering orders within a 4-5 week timescale, utilising our own drivers and vehicles. If we encounter exceptional circumstances and cannot meet this delivery timescale, we will inform you in advance. Once your order is ready to be dispatched, we will inform you a minimum of 3 days prior to delivery and provide you with a 3-hour delivery window.

Should you require a 7-10 day delivery from available stock, please advise us when you place your order. We will book an external courier at an additional cost, however installation will not be available when using this service.

Note: Installation is not available for deliveries made in Zone C on the map shown to the right.

Contact us via info@hornfurniture.co.uk for more information on this service or for a tailored quote.

Additional delivery notes:

- Our drivers carry out lone-working and therefore taking cabinets up internal staircases is performed **at the drivers discretion.**
- If you would like to confirm in advance that your cabinet can be taken upstairs, please email us photographs of your staircase and we'll confirm if it is possible or not.
- We will not remove a Horn cabinet from its box to transport it upstairs.
- Please ensure stairways are free of obstruction prior to delivery.
- Unfortunately, our drivers may not be able to take the Super Q Mk2, Super Q or Maxi Hobby Table up internal stairways due to size. If you wish you can call us on (+ 44) 01793 834304 when making your order to discuss the delivery.
- **If you are unsure whether the product you wish to order is compatible with your sewing machine please call us on (+ 44) 01793 834304 or email us via info@hornfurniture.co.uk**

Colour sample swatches are available by request



Our delivery fleet providing exceptional delivery and installation service.

Zone A £29.00
Zone C Price on request*

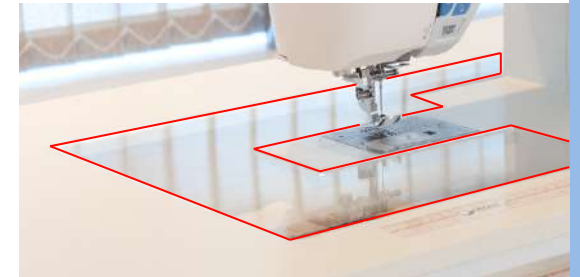


*Installation service not available in Zone C

Zone C charge in London applies to an address inside the congestion charge zone

INSETS

Bought a new sewing machine?
You'll need one of these!



The information we require when placing your order is as follows:

- The make/brand and model number or name of your sewing machine.
- The length and width of the aperture/opening in the top of your cabinet.

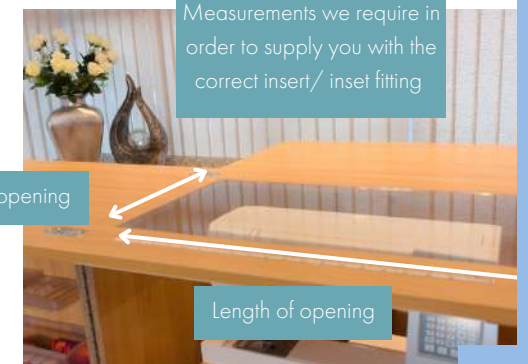
Below are the different types of Insets that we offer for our electric range:

1962 (SuperMaxi inset) **£119.95** (790mm x 375 approx.)

GE805 **£119.95** (805mm x 360 approx.)

All prices include postage and packaging.

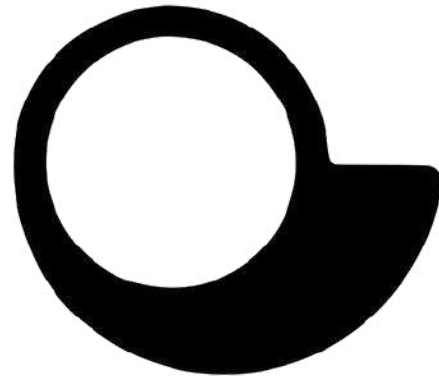
Please note: We can only make insets / inserts to fit Horn sewing cabinets sold here in the UK.



Measurements we require in order to supply you with the correct insert/ inset fitting

Width of opening

Length of opening



Horn

**Crafting...Quilting...Sewing
Furniture**

We would love your feedback so please get in touch by scanning the QR code or by using our contact details at the bottom of the page.



Scan Me

To find out where your nearest Horn outlet is or for more product information please contact:

Horn Furniture (UK) Limited,
Unit 12, Oaktree Business Centre,
Spitfire Way, South Marston Park,
Swindon, SN3 4TX.

Tel: (+ 44) 01793 834304
Email: info@hornfurniture.co.uk
Web: www.hornfurniture.co.uk

Horn parts site: www.hornessentials.co.uk

Dealers Stamp

If you would like to see any of our products before you purchase, but can't make it to one of our shows, you can now come and view what we have at our showroom located near our Head Office in Swindon, however viewings are by appointment only so if you'd like to visit please contact us via phone, email or fill out the booking form on our website. You are welcome to bring your own sewing machine, as this will give you the best idea of how your machine will sit in the unit in relation to your sitting position.