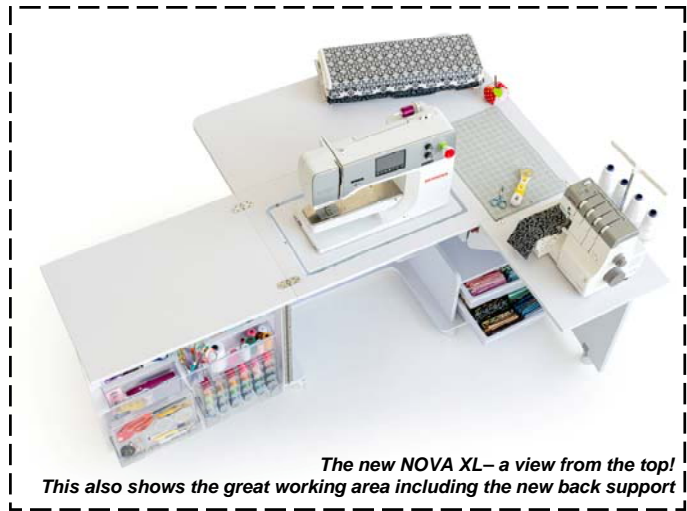


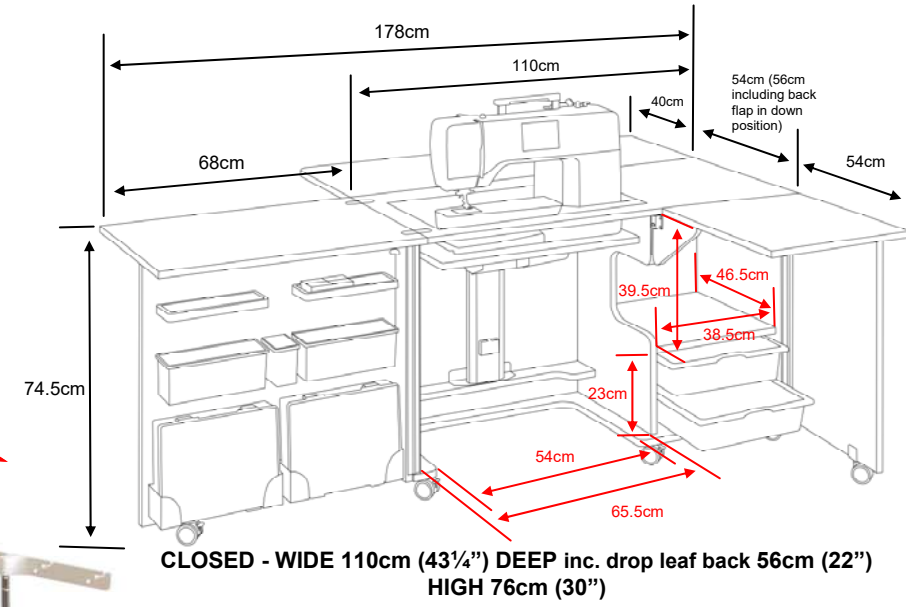
**The New
Horn NOVA XL!**

- Compact and capable of storing both your machines!



The new NOVA XL— a view from the top!
This also shows the great working area including the new back support

Fitted with our 'inset' design where the inset sits inside the aperture on a ledge thus giving an even flusher, smoother, sturdier surface from table top to machine arm.... You'll love it!



CLOSED - WIDE 110cm (43 3/4") DEEP inc. drop leaf back 56cm (22") HIGH 76cm (30")

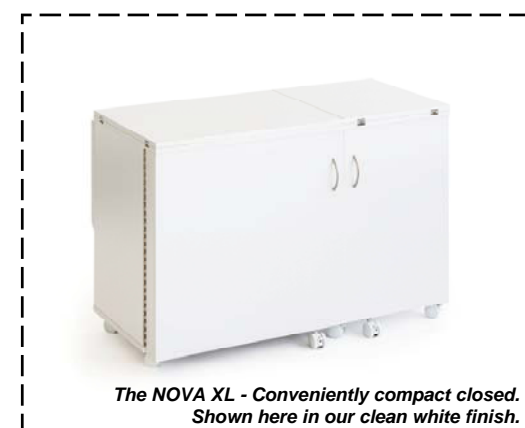
- Fitted with our Maxi-lifter opening (type 1942) which is capable of taking virtually all domestic sewing machines on the market old or new!
- This model arrives fitted with our 3 step push down release air-lift mechanism which means a quick push down moves your machine from storage to flatbed to free-arm positions.
- Transparent door storage bins that are removable if needed and recessed under the lid by means of a specially constructed angled door system that not only gives greater support to the top but also allows your fabric to drape down without catching or disturbing the door bin contents.
- New to this model is a sturdy supported work area at the back of the machine which prevents the needle drag that can happen when sewing large projects. This will help ease stress on your neck and shoulders when sewing large projects for long periods of time . It lifts up easily when needed and down when not (so it doesn't have to be open all the time) and takes very little space when its down. It has a very sturdy double gate leg design to give maximum support,
- Stores both a sewing machine and an overlocker, or maybe a second smaller portable machine if you prefer.
- New extra support arm for the right hand work area.
- Hides both your machines away in a beautiful cabinet. No one would ever know.
- An acrylic flatbed inset plate is supplied with this model, cut to fit your sewing machine.
- Available in 4 great finishes.
- Arrives fully assembled... no having to assemble it yourself!

NEED MORE STORAGE?
You can add a Rolla storage unit to match in with his model!

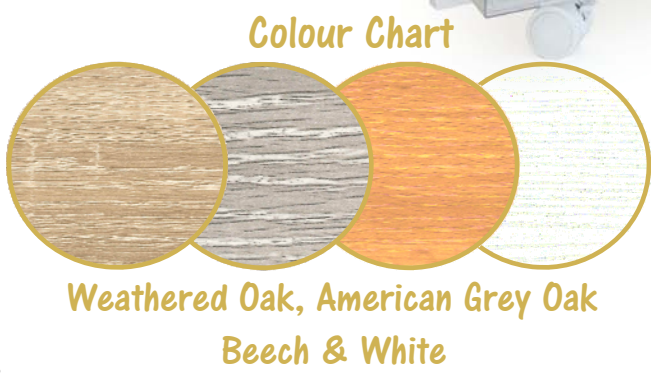


NEW... Extra support arm for the right hand work surface

Fitted with our Horn Maxi air-lifter! (Type 1942)
Able to fit the larger, longer armed sewing machines—such as the Pfaff Icon, Bernina 700 (pictured) & 800 series, Brother V series, Janome Horizon Range and Husqvarna Epic's amongst others but its not just for larger machines its also ideal for all normal sized domestic sewing machines too!
(Take a look at page 34 to see how our air-lift works)



The NOVA XL - Conveniently compact closed. Shown here in our clean white finish.



The new NOVA XL is pictured above in our clean white finish

MODEL 2072 Price includes one flatbed inset (The Cutting mat shown is an optional extra - see page 33)