

The Maxi HOBBY - TABLE

- Give your back and knees a break stand and work in comfort!

- ▶ A table ideal for Cutting, Quilting, Sewing, smocking in fact any hobby!
- ▶ Storage for both your sewing machine and an overlocker
- ▶ There are storage cupboards on both sides
- ▶ Rounded table corners for safety
- ▶ Ideal addition to match in with a sewing cabinet

The correct height to stand and work at... No more back ache!



Slim & Mobile when closed

See more on this model by viewing the video on our website



Useful storage cupboards both sides...



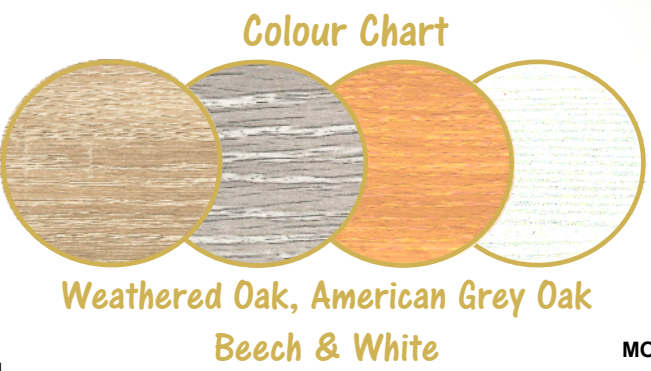
...one side fitted with an adjustable shelf for larger items...



...the other fitted with removable storage baskets.



87cm / 34 1/4 ins

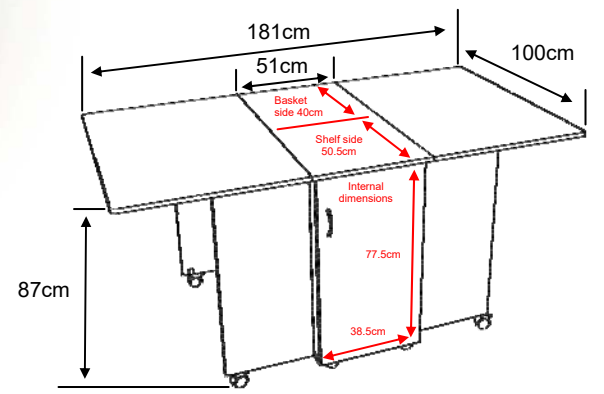


The Gemini s pictured above in our new American Grey finish

Loads of stowage for machines and accessories.

Extra stable double leg design

- ▶ 87cm (34 1/4 ins) height is ideal for working while standing up. No bending, kneeling or stooping!
- ▶ Incredibly stable construction; easy-rolling castors are attached to a specially designed reinforced frame, much more stable than a folding or dining room table.
- ▶ Rounded corners keep your projects safe from snags and from children catching themselves accidentally.
- ▶ Handy storage cupboards located on both sides.
- ▶ Storage shelves are adjustable or removable.
- ▶ Entire unit quickly folds down and easily rolls away when not in use.
- ▶ Arrives fully assembled. Table is beautifully finished front and back, inside and out. No having to assemble it yourself!
- ▶ PLEASE NOTE: Due to its size and weight we regret that this cabinet is too large to be taken up an internal staircase by our driver.



CLOSED - WIDE 100cm (39 1/2") DEEP 51cm (20") HIGH 87cm (34 1/4")

PLEASE NOTE: Depending on your stairs and due to its size we must advise you that this cabinet is too big to be taken up an internal staircase by our driver. If you have any doubts please contact us to check for more information before purchasing.