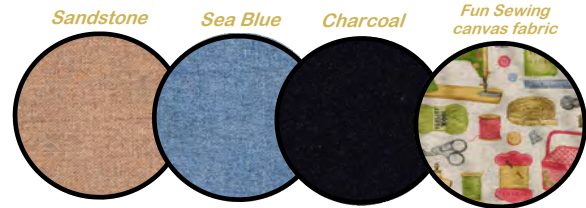


**Our 'Tall'
HOBBY - CHAIR**

- the Horn 'Tall' Hobby Chair

New
Now in 2 super
new fabrics



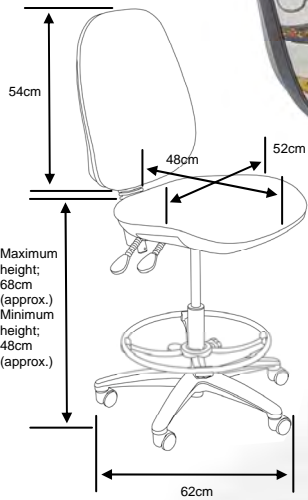
Fabric Chart

*Like to see a sample of a fabric? - No problem
Contact us on 01793 834304 and we'll sort it out for you.*

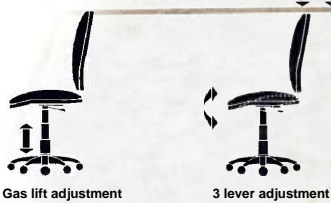
"The best seat in the house just got taller!"

*Excellent comfort
and support!*

**New
Fabrics!**



All dimensions are approximate



Gas lift adjustment

3 lever adjustment

ENDORSED BY....



R. QUINN,
MCSP, Reg.Mem. HPC, Mem.IEHP
and ACPOHE



*All the advantages of our
normal Hobby chair....
but now with extra height!*

*The Fabric pictured is our new
limited edition fun sewing canvas
fabric. Both our 'Tall Hobby' and
original 'Hobby' chair's are
currently available in this.*

THE SAME GREAT FEATURES AS THE HOBBY CHAIR BUT NOW AVAILABLE WITH EXTRA HEIGHT.

This will allow you all the endorsed comfort and support of the original Horn Hobby chair but gives a sitting position with a far greater maximum height of 68cm off the ground! (The normal chair being 52cm). This is ideal for sitting at higher surfaces such as our HI-LO, Sewers Vision, Maxi Hobby table, Cut easy Mk2 and now our new Tri-Star utility table or maybe your own kitchen surface, in fact anywhere in your home that has a need for a higher sitting position. PLEASE NOTE: This chair isn't specifically for tall people. We have put a lot of effort into trying to develop it so that you are able to sit at either a sewing cabinet height of (approx.29-30ins) or sit at a standing height surface of (approx. 35-36 ins) but we realise that people are all different so these heights aren't perfect for everyone and might not work for you. If sitting at both of these types of unit is a definite stipulation of your purchase then it'd be best to try to sit on one first, to try it out, before purchasing it.