

The HI-LO

- arguably the best craft table.... ever!

**The Horn HILO – the table that's taking the Sewing, Patchwork & Quilting community by storm.**

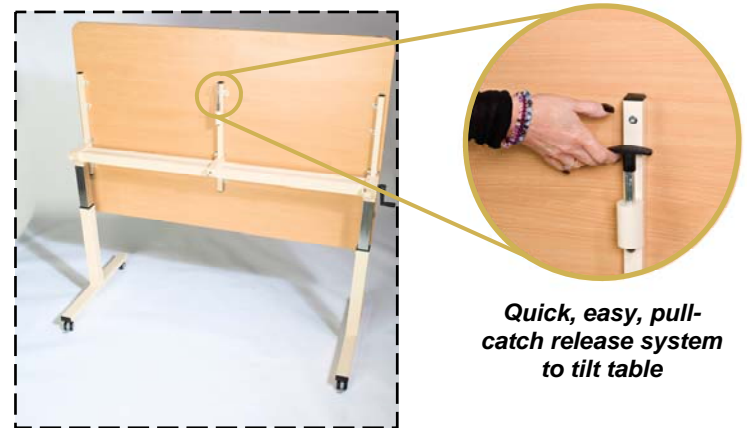
Something that we've been asked for over and over again in the past is a large work surface that has the ability to have its height adjusted. Well its taken its time and after pain staking development... its now here! From first viewing what's immediately obvious is the quality and strength of its build, it has the same 1" inch thick table top as the STELLA unit, this gives true support & strength when heavy duty use is required and it has a durable ABS knock resistant edging to put up with years of use. It's finished with a hard wearing, fresh and tasteful Beech veneer. The main construction is of strong steel covered in a home friendly, durable, cream powder coated finish and is fitted with easy mobile lockable wheels, which again are of a commercial grade finish. It is capable of adjusting from a comfortable sitting height of 70.5cm to a full 97.5cm standing height (approx), the overall work area is 102cm (40") x 152.5cm (60") something that will impress even the mightiest of its users. The height is adjusted simply by turning a crank handle which is situated on the side of the table, this crank adjustment has a high turn ratio which allows the user to smoothly and easily raise or lower the table even whilst weight is on it, be it a light project or even with heavier items such as sewing machine equipment. The hand crank system is simple but very effective, foolproof and extremely reliable with far less to go wrong, this will ensure years of trouble free service for which Horn has become renowned. But what if space is a problem? No problem another great feature of the HILO is that it allows the table to tilt upwards out of the way so when not needed it can give back valuable floor space to your room, once up it can be used as a handy design wall. As an extra there is also available a tailor made hobby/cutting mat which can be used for rotary cutting and will accept pins to hold your projects in place as well as protecting the surface of your table. This can be purchased together with the HILO or at a later date depending on your needs.

*Unrivalled freedom & Comfort. No more kneeling, bending or stooping .....for anyone*

**NEED MORE STORAGE?**  
You can add a Rolla storage unit to match in with this model!

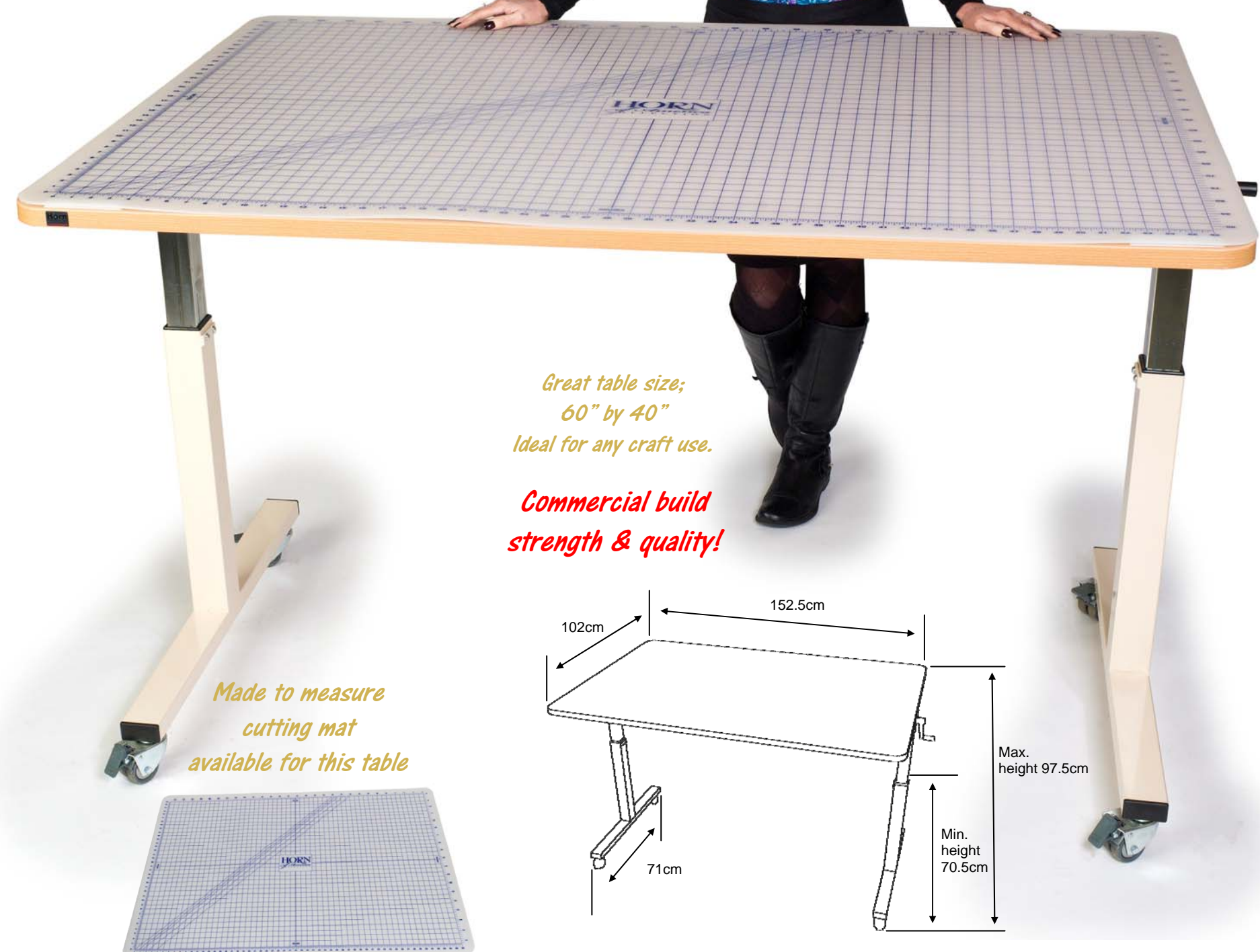


**Easy and quick height adjustment by the turn of a handle. Maintenance free, reliable & simple to operate!**



**Quick, easy, pull-catch release system to tilt table**

**The HILO conveniently folds up out of the way when not in use**

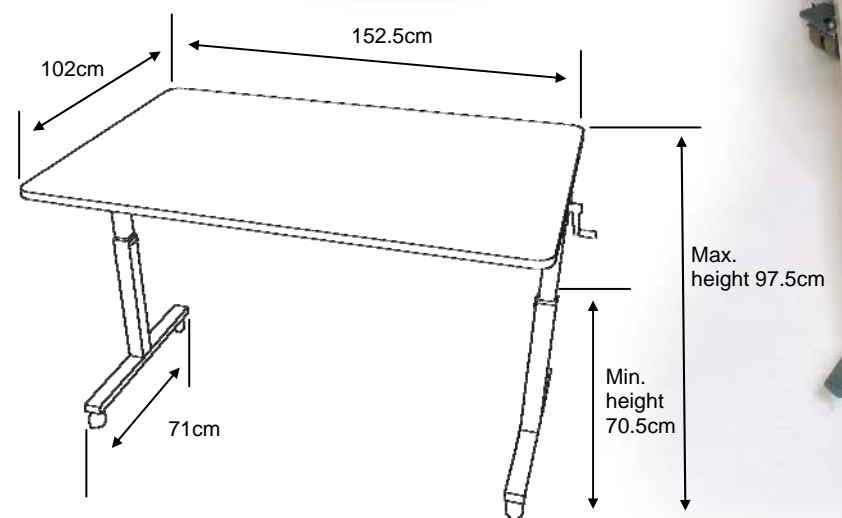


*Great table size; 60" by 40" Ideal for any craft use. Commercial build strength & quality!*

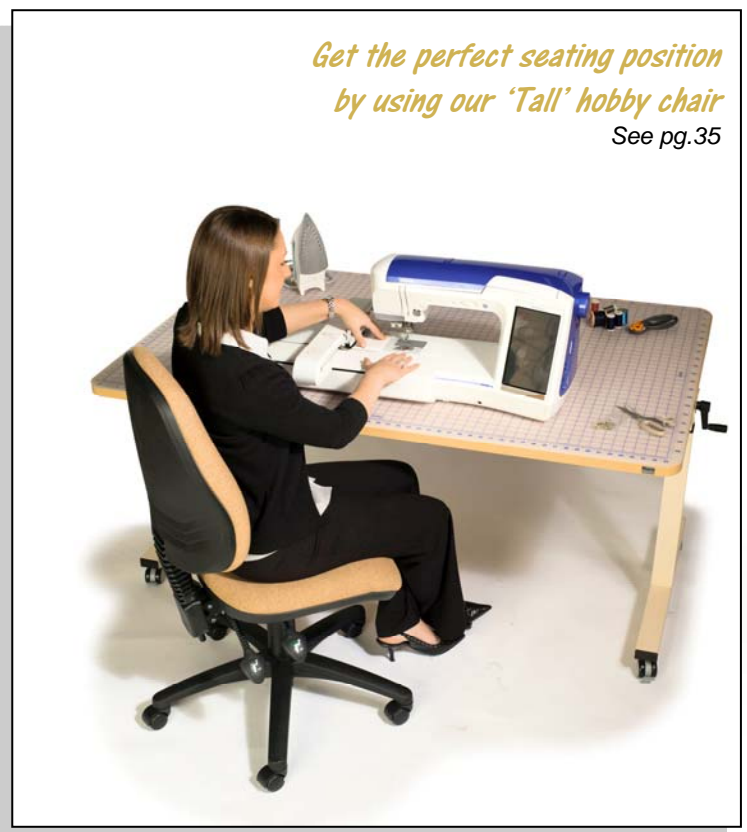
*Not just for sewing.... ideal for photography, graphic work or any craft use*

*The HILO will raise to your perfect height. Pictured here with the optional Horn Cutting/ Craft mat*

*Made to measure cutting mat available for this table*



**Colour Chart**  
  
**Beech**



*Get the perfect seating position by using our 'Tall' hobby chair See pg.35*

**The HILO will easily lower to your sitting height and allows huge leg room**