

- another great idea from Horn
 Ideal for all types of hobby... Sewing, Quilting, Patch work, Cutting, Piecing....anything!!



This is real magic!

Your sewing machine can be operated in either a table top position (for free-arm or embroidery use etc...) or lowered for our inset to be fitted around it to give a huge flatbed sewing position. Alternatively you can remove your machine entirely and use it as a large cutting out surface.

Unrivalled freedom & Comfort.
 No more kneeling, bending or stooping ... for anyone



It easily & conveniently folds up out of the way when not being used

NEED MORE STORAGE?
 You can add a Rolla storage unit to match in with this model!

Great table size;
 64" by 36"
 Ideal for all craft uses.

- Tough, knock resistant ABS edging surrounds the top of the table- for increased durability.
- 1" thick table top for extra strength.
- Tilts for storage by means of a pull release catch mechanism to give back valuable floor space to your room.
- Easily height adjustable by simply turning a crank handle.
- Can be raised to work on above other furniture in your room.
- A large height adjustment range to suit virtually any user. Can be lowered to sit at or raised to stand and work at.
- Clever platform mechanism that your sewing machine sits on which can either be dropped for flatbed use (using an inset) or raised for free-arm and embroidery arm use.
- Maxi aperture; giving it the ability to fit even the largest sewing machines on the market.
- One inset to fit your sewing machine is included
- Easily mobile on 4 large, fully lockable wheels.



New
 New! Folding handle



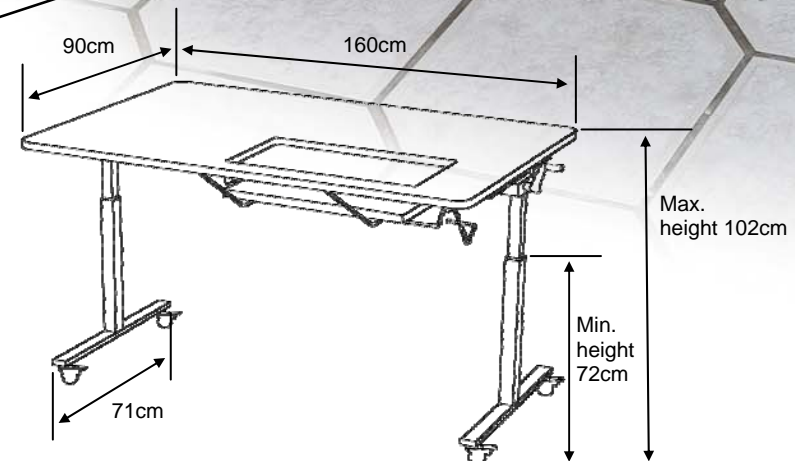
Easy and quick height adjustment by the turn of a handle. Maintenance free, reliable & simple to operate!

Fitted with our Horn Maxi sized opening!
 Ideal for the new extra large sewing machines, such as; the Bernina 700 & 800 series, Brother V series, Janome Horizon Range and Husqvarna Sapphire amongst others but its not just for larger machines its also ideal for any size of domestic sewing machine!

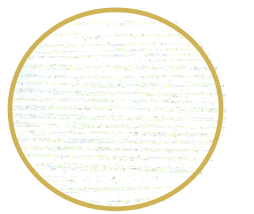
New
 Improved design!



4 large, rubberised, smooth running, lockable castors



Colour Chart



White