

**The Maxi
OUTBACK**

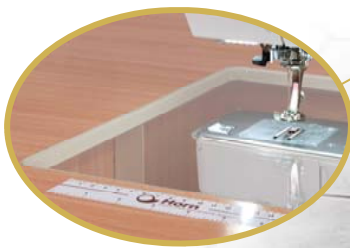
- still as compact & now fitted with our maxi- lifter!

*Improved
Design!*

*Just 2ft 9ins by 1ft 10ins
when its closed!*



When the back work area's up, its ideal for working on.
(The Cutting mat shown is an optional extra)

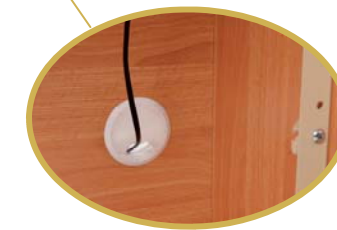


Now fitted with a new 'inset' design where the inset sits inside the aperture on a ledge thus giving an even flusher, smoother, sturdier surface from tabletop to machine arm.... You'll love it!

- Centre of the needle sitting position, allows you to be directly in front of the needle when sewing.
- Extra stable, open base construction; 7 easy rolling (3 lockable) castors, are attached to a specially designed reinforced frame.
- 3 step push down release maxi air-lift mechanism means a quick push down moves your machine from storage to flatbed to free-arm positions and will fit virtually all domestic sewing machines on the market old or new!
- Spacious, see through door bins are recessed under the lid by means of a specially constructed angled door system this allows your fabric to drape down without catching or disturbing the door bin contents. Also a handy magazine compartment with dividing shelf which adds even more storage.
- The work surface is fitted with flush mounted non snag hinges.
- Large work area at the back of the machine. Lifts up easily when needed and down when not (so it doesn't have to be open all the time). It has a very sturdy gate leg design with Quilters/Patchworkers in mind but is ideal for all sewing projects..
- Handy storage holder for your machine insert.
- Attractive soft formed bevelled edging finish to the tops.
- Arrives fully assembled, the cabinet is beautifully finished front to back, inside and out.

**The smallest cabinet to be fitted with our
Maxi-lifter!**

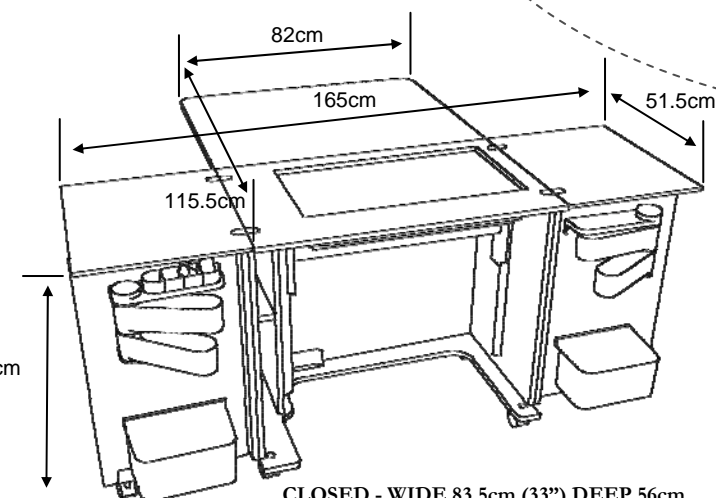
*-a compact cabinet that can fit into any home and is able to fit even the biggest sewing machines on the market today; i.e. Bernina 700 & 800 series, Brother V series, Janome Horizon Range and Husqvarna Epic to name a few....
(Take a look at page 38 to see how the air-lift works)*



Now fitted with a cable port in the back of the cabinet for improved cable management

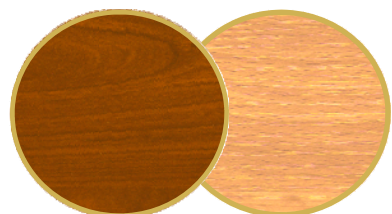
Go Electric!

with this model
(See page 39 for more information)



CLOSED - WIDE 83.5cm (33") DEEP 56cm inc. drop leaf back (22") HIGH 76cm (29 3/4")

Colour Chart



Teak, Beech

The Maxi Outback is our most compact cabinet that will fit virtually all the big long armed sewing/ quilting machines!



The Maxi- OUTBACK closed in teak , nicely finished with a soft formed edge

MODEL 1052 Price includes flatbed inset *(The Cutting mat shown is an optional extra - see pg.37)*