

The Maxi-ECLIPSE

- Our most popular cabinet ... just got even better!

Our most popular unit ever!

Go Electric!
with this model
(See page 39 for more information)



Now fitted with a cable port to the back of the cabinet for improved cable management



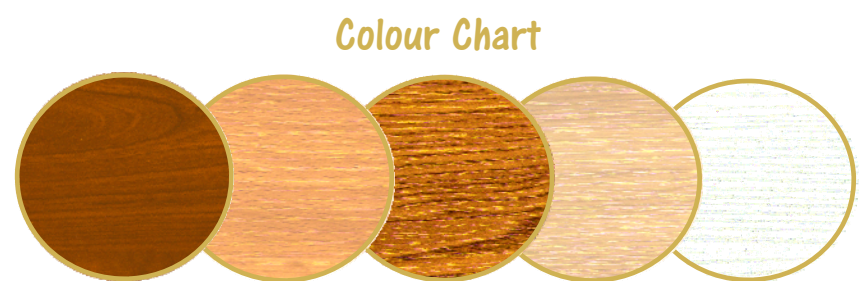
The ECLIPSE - shown here from the back view - gives a huge, sturdy, gate leg supported work area



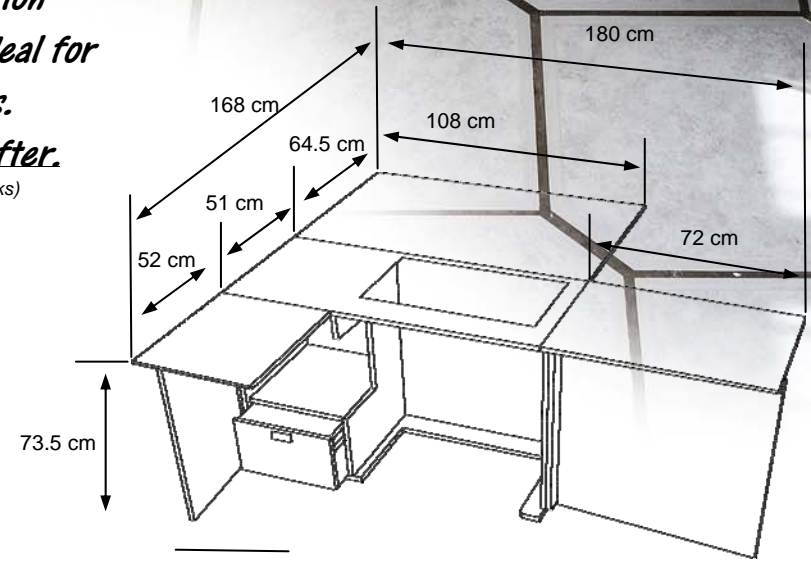
Now fitted with a new 'inset' design where the inset sits inside the aperture on a ledge thus giving an even flusher, smoother, sturdier surface from table top to machine arm.... You'll love it!

Centre of needle sewing position & back supported work area - ideal for all large sewing applications.
Now fitted with our Maxi air-lifter.
(Take a look at page 38 to see how the air-lift works)

- Centre of the needle sitting position, allows you to be directly in front of the needle when sewing.
- Extra stable, open base construction; 8 easy rolling (3 lockable) castors, are attached to a specially designed reinforced frame.
- 3 step push down release air-lift mechanism means a quick push down moves your machine from storage to flatbed to free-arm positions and will virtually fit all domestic sewing machines on the market old or new!
- Spacious, see through door storage bins make finding thread etc.. Easy!
- Door storage bins are recessed under the lid by means of a specially constructed angled door system this allows your fabric to drape down without catching or disturbing the door bin contents.
- A large deep drawer with steel gliders.
- Huge work area at the back of the machine. Lifts up easily when needed and down when not (so it doesn't have to be open all the time). It has a very sturdy gate leg design with Quilters/ Patchworkers in mind but is ideal for all sewing projects.
- Stores both a sewing machine and an overlocker. Or maybe a second smaller portable class machine
- Entire cabinet glides closed, and locks for child safety when not in use.
- Handy storage holder for your machine insert.
- Attractive soft formed edging finish to the tops.
- Arrives fully assembled, the cabinet is beautifully finished front to back, inside and out.



Teak, Beech, Medium Oak, Light Oak, White



New Dimensions...now with more depth and width!

CLOSED - WIDE 108cm (42½") DEEP 57cm inc. drop leaf back (22½") HIGH 76cm (29¾")
(Internal dims for overlocker space - WIDE 34cm, DEEP 47.5cm, HIGH 42cm)



The ECLIPSE - Very compact when closed. Shown here in our clean white finish.