

The CUT EASY Mk2

The Cut Easy Mk2 with cutting/working surface open.

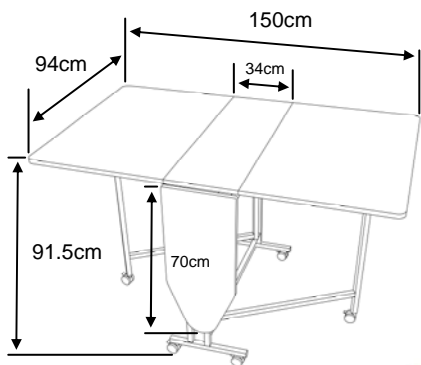


The Cut Easy Mk2 completely folded down.



The Cut Easy Mk2 with a partially opened cutting/working surface & pressing table up.

- Extremely compact when closed.
- Very versatile for all types of craft use.
- Sturdy construction.
- Ideal standing height.
- Handy built in pressing/ ironing board.
- Huge work surface when fully opened.
- Easily movable on large lockable castors.
- Arrives in a ready to assemble form which makes it ideal to build up in awkward to get to places in the home.



Dimensions when closed:

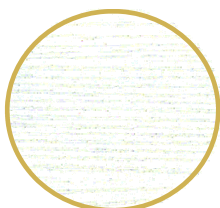
- 34cm (13 1/3") Wide
- 94cm (37") Deep
- 91.5mm (36") High



Cut Easy MK2 completely opened up

Great standing height... 36ins!

Colour Chart



White