

# The CALYPSO

-one of our most ingenious designs .... ever!

The CALYPSO - still compact when Closed

**Go Electric!**  
 You can have an electric lifter fitted to this model  
 (See page 37 for more information)

It will store both your sewing machine and overlocker or perhaps your smaller workshop sewing machine

- Fitted with our Maxi-lifter opening (type 1952) which is capable of taking virtually all domestic sewing machines on the market old or new!
- Maxi air-lift mechanism means a quick push down moves your machine from storage to flatbed to free-arm positions.
- An extra deep drawer, handy shelf, and a recessed table top accessories organiser adds even more storage.
- Door storage bins are recessed under the lid by means of a specially constructed angled door system this allows your fabric to drape down without catching or disturbing the door bin contents, whilst giving unrivalled support to the work surface.
- Stores both a sewing machine and an overlocker, or maybe a second smaller portable, workshop machine.
- Hides both your machines away in a beautiful cabinet that is lockable with a key. No one would ever know.
- One acrylic flatbed inset plate cut to fit your sewing machine is included with this model.
- Attractive soft formed edging finish to the tops.
- Arrives fully assembled.



Compared with many of our larger units the CALYPSO needs very little extra floor space when its closed

Inspired door Design



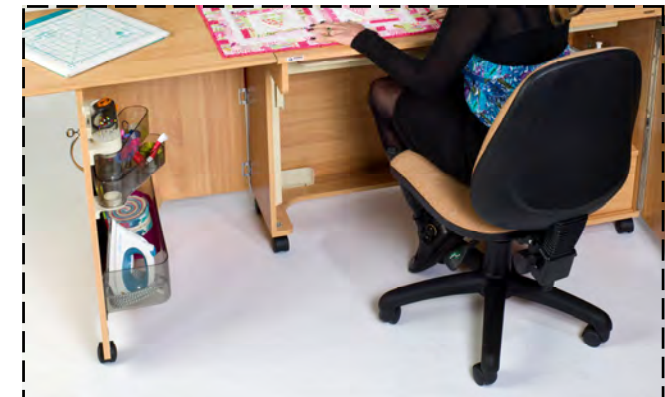
Fantastic open seating area design



Now fitted with a new 'inset' design where the inset sits inside the aperture on a ledge thus giving an even flusher, smoother, sturdier surface from tabletop to machine arm.... You'll love it!

Like our SUPERIOR model the CALYPSO is made with greater depth to the cabinet .... which is another subtle way of adding to the perfect seating position

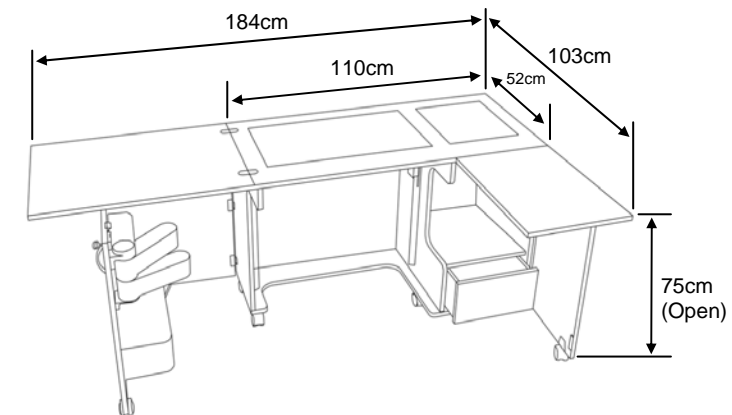
Fantastic central seating area.  
 For it's compact size, there's never been anything quite like this!!



The radical CALYPSO design gives plenty of width and depth to give you greater leg room and ultimately comfort. Made even better if you add our Horn Hobby chair to enhance your perfect sewing position!



Now fitted with a cable port to the back of the cabinet for improved cable manage-



CLOSED - WIDE 110cm (43¼") DEEP 52cm (20½") HIGH 76cm (30")

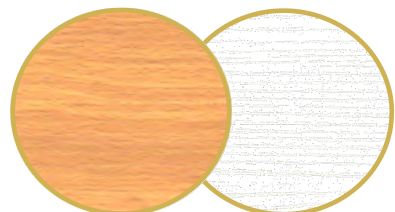
MODEL 1092 Price includes one flatbed inset

Fitted with our Horn **Maxi air-lifter! (1952)**

Ideal for the new extra large sewing machines –such as the New Pfaff Icon, Bernina 700 & 800 series, Brother V series, Janome Horizon Range and Husqvarna Epic amongst others but its not just for larger machines its also ideal for all normal sized domestic sewing machines too!

(Take a look at page 36 to see how the air-lift works)

## Colour Chart



Beech, White