

**The
QUILTER'S
DELIGHT MK2**

- a uniquely designed Quilting table..... for you & your sewing machine!



The QD2 - Closed down
(with hole filler piece in place)

Fitted with our 'inset' design where the inset sits inside the aperture on a ledge thus giving an even flusher, smoother, sturdier surface from table top to machine arm.... You'll love it!



INCLUDED- the QD2 is automatically supplied with a filler piece which fills in the hole left when your machine is stored away, so with the back area up it will create a large solid cutting area.

Huge working area when your machine is away and the back area is up



The QD2 - showing the back work surface down



The QD2 - with the back work area up - rigid stability on the 2 supporting legs!

You can add to your storage with our Rolla storage unit



INCLUDED- a handy mobile set of drawers which when stored sits tidily inside the main table, so reducing its floor space, but when pulled out to be used it can be moved to any position best suited for you.

Colour Chart

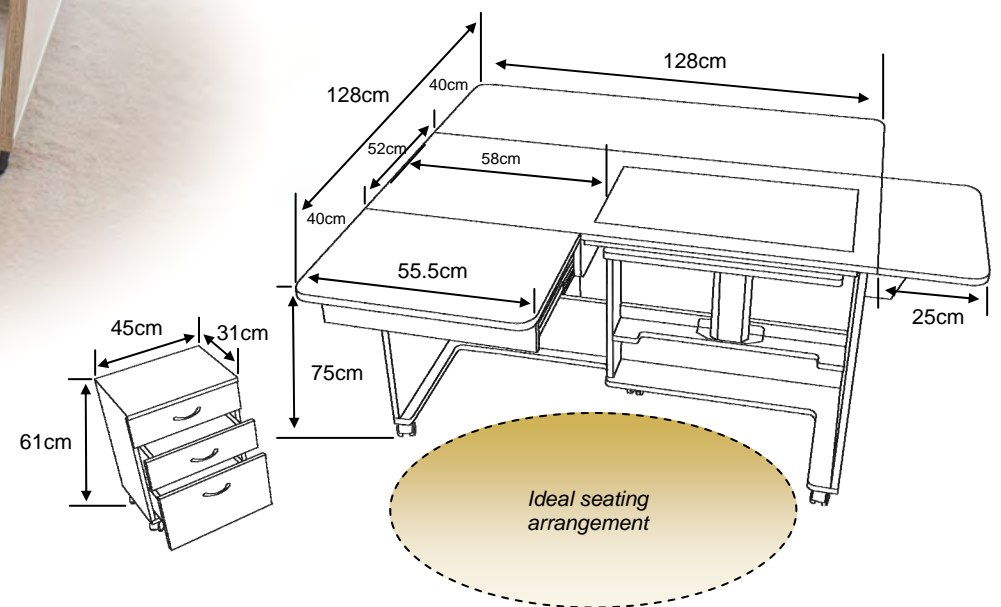
Weathered Oak, American Grey Oak
Beech & White



- Fitted with our Maxi-lifter opening (type 1942) which is capable of taking virtually all domestic sewing machines on the market old or new!
- This model arrives fitted with our 3 step push down release air-lift mechanism which means a quick push down moves your machine from storage to flatbed to free-arm positions.
- A Handy set of mobile drawers are included, that can be positioned where ever is best in relation to your project at that particular time.
- A large work area at the back of the machine which prevents the needle drag that can happen with large projects. It lifts up easily when needed and down when not (so it doesn't have to be open all the time). It has a very sturdy dual gate leg design with Quilters/ Patchworkers in mind but is ideal for all sewing projects.
- Slot in filler for above the machine when its away. This gives you a large area to cut out, piece on etc...
- One acrylic inset plate cut to fit your sewing machine is included with this model.
- Arrives fully assembled.

New
Now in 2 super new finishes

Fitted with our Horn Maxi air-lifter! (Type 1942)
Ideal for larger sewing machines- such as the Bernina 700 series, Brother V Series Janome Horizon Range amongst others but its not just for larger machines its also ideal for all normal sized domestic sewing machines too!
(Take a look at page 36 to see how the air-lift works)



CLOSED - WIDE 127cm (50") DEEP 52cm inc. drop leaf back (20") HIGH 74cm (29")

MODEL 2032 Price includes one flatbed inset (The Cutting mat shown is an optional extra - see pg.29)

Please note that this cabinet is very big and any stairs mounted will be at the driver's discretion