

The Maxi-ECLIPSE

- our most popular cabinet ... better than ever!

Our most popular cabinet ever!



Fitted with our 'inset' design where the inset sits inside the aperture on a ledge thus giving an even flusher, smoother, sturdier surface from table top to machine arm.... You'll love it!



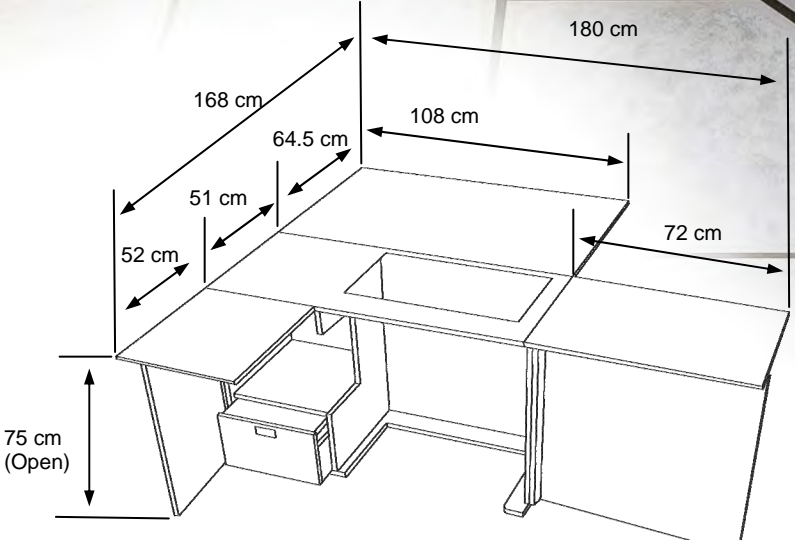
Now fitted with a cable port to the back of the cabinet for improved cable management



The ECLIPSE - shown here from the back view - gives a huge, sturdy, gate leg supported work area

- Fitted with our Maxi-lifter opening (type 1952) which is capable of taking virtually all domestic sewing machines on the market old or new!
- This model arrives fitted with our 3 step push down release air-lift mechanism which means a quick push down moves your machine from storage to flatbed to free-arm positions but this unit also has the option of being fitted with our electric lifter for an extra cost.
- Transparent door storage bins are recessed under the lid by means of a specially constructed angled door system this allows your fabric to drape down without catching or disturbing the door bin contents.
- A huge work area at the back of the machine which prevents the needle drag that can happen with large projects. Lifts up easily when needed and down when not (so it doesn't have to be open all the time). It has a very sturdy gate leg design with Quilters/ Patchworkers in mind but is ideal for all sewing projects.
- Stores both a sewing machine and an overlocker, or maybe a second smaller portable, workshop machine.
- Hides both your machines away in a beautiful cabinet that is lockable with a key. No one would ever know.
- One acrylic flatbed inset plate cut to fit your sewing machine is included with this model.
- Attractive soft formed edging finish to the tops.
- Arrives fully assembled.

Fitted with our Horn Maxi air-lifter! (Type 1952)
(Take a look at page 36 to see how our air-lift works)



CLOSED - WIDE 108cm (42½") DEEP 57cm inc. drop leaf back (22½") HIGH 76cm (29¾")
(Internal dims for overlocker space - WIDE 34cm, DEEP 47.5cm, HIGH 42cm)

Go Electric!
You can have an electric lifter fitted to this model
(See page 37 for more information)

Colour Chart



Light Oak, Medium Oak, Beech & White



The ECLIPSE - Very compact when closed. Shown here in our clean white finish.