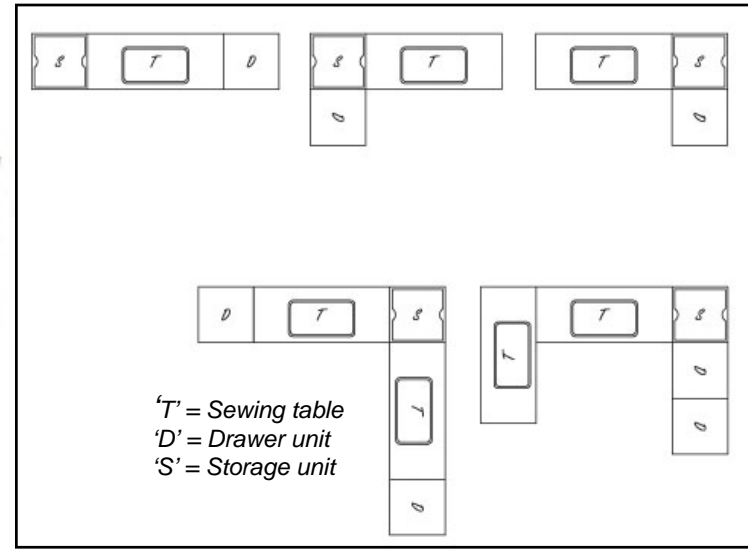


The ELEMENTS



The 'Elements' Sewing table (Model 201)

Mix and match units to create your perfect sewing set-up!

3 different types of unit allowing you to Choose your own arrangement!
The clever modular design gives many different configuration possibilities allowing it to fit perfectly into your home. When assembled each unit can be fixed together (with fixings screws provided) to give a sturdy continuous surface. Above we've shown a few setup ideas to get you started....

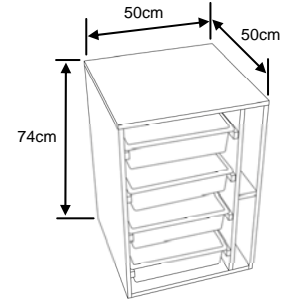
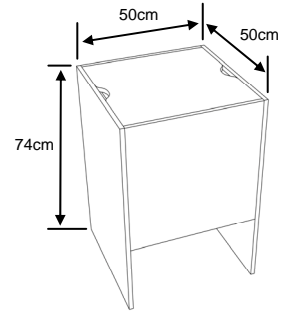
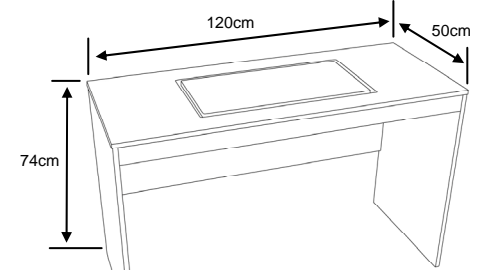
The Elements when combined becomes so much more than the sum of its parts!



The 'Elements' Drawers (Model 202)



A huge spacious seating area allowing the perfect seating position!



Available in 3 finishes!

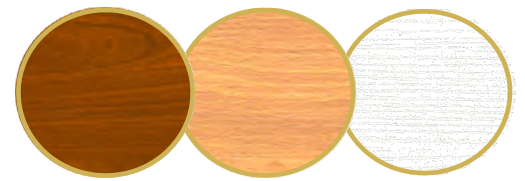
Fitted with our maxi opening!



The 'Elements' Storage chest (Model 203)

They can be fixed together!

Colour Chart



Teak, Beech, White

- Available in 3 finishes.
- The 'Elements' clever design allows for many different configurations to fit in with your room.
- Fitted with our maxi aperture/ opening giving it the ability to fit even the largest domestic sewing machines.
- Like our Sewers Vision the Elements table (Model 201) is fitted with a 2- position manual mechanism platform which allows either a flatbed or free-arm sewing position. Each position can be reached by using a quick release adjustment lever. To get the most out of the flatbed position you can purchase a separate flatbed inset (part number- 1942) which can be cut to fit your particular brand and model of sewing machine.
- Great value. Start with just the main table unit and add to it depending on what you decide at that time or at a later date, making it easily affordable.
- Arrives in an easy to assemble form which makes for easy collection and allows it to be built up in awkward to get to places in the home.

Please note that these units are self assembly. The flatbed insert (1942) is an optional extra with this unit at £62