

The CUB plus

- the Cub's still as cheeky as ever!

NEED MORE STORAGE?
You can add a Rolla storage unit to match in with this model!



SO COMPACT!
Only
2 ft by 1½ ft
when closed

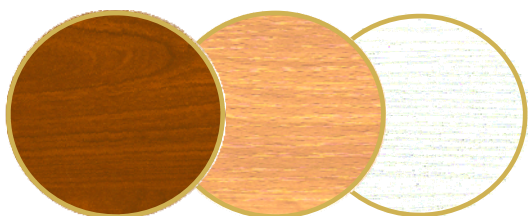
Fitted with our standard air-lifter.

(Take a look at page 38 to see how the air-lift works)

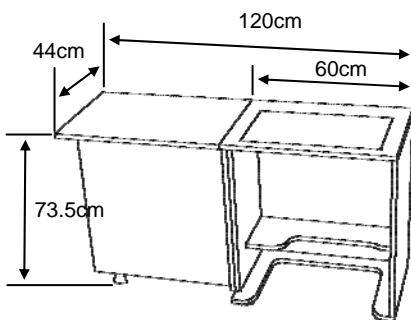
- Extra stable, open base construction; 5 easy rolling lockable castors, are attached to a specially designed reinforced frame.
- 3 step push down release air-lift mechanism means a quick push down moves your machine from storage to flatbed to free-arm positions and will fit many domestic sewing machines on the market old or new!
- Fantastic newly designed spacious, see through thread boxes that are designed to be removable. This not only makes finding thread etc.. Easy... but you can take them with you as well!
- Door storage bins are recessed under the lid by means of a specially constructed angled door system this allows your fabric to drape down without catching or disturbing the door bin contents.
- The work surface is fitted with flush mounted non snag hinges.
- Arrives fully assembled, the cabinet is beautifully finished front to back, inside and out.

The Cub+ offer's so much for your money!

Colour Chart



Teak, Beech, White



CLOSED - WIDE 60cm (23¾") DEEP 44cm
(17½") HIGH 76cm (29¾")



The CUB plus is super compact when closed

MODEL 1010 *The flatbed insert is an optional extra with this unit at £42*