

Have a new sewing machine & need a replacement flat-bed fitting for your Horn cabinet....?

Extra flatbed Inserts are available in several sizes & can be either in an uncut condition to act as an opening filler or cut to fit around your sewing machine. There are many different types of insert/ inset available now so when ordering its essential to have the measurements of the size of the rectangular opening in your sewing cabinet to hand in order for us to take your order and supply you with the correct sized fitting. The information we require when placing an order is:

1. The make and model number/ name of your new sewing machine.
2. The length and width of the aperture/ opening that is cut into your cabinet. (See diagram opposite)
3. The type of fitting you require. Either an insert, (which has a lip around the edge to prevent it falling through the hole) or an inset, (has no lip and sits inside the hole on a ledge). These are fitted to the Quilters delight Mk2 & Sewer's Vision.

Inserts (have a lip around the edge)

- 1925 (Hide-away) £34.95 inc P&P (300 x 285mm approx.)
- 1927 (Standard) £46.95 inc. P&P (480 x 285mm approx.)
- 1929 (Long) £49.95 inc. P&P (530 x 285mm approx.)
- 1932 (Maxi) £59.95 inc. P&P (615 x 325mm approx.)

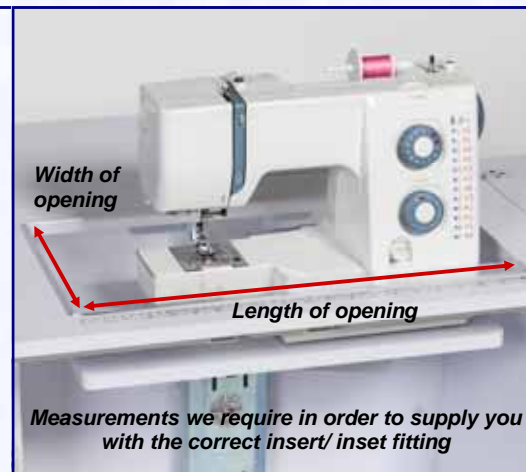
Insets (have no lip)

- 1942 (QD Mk2) £59.95 inc. P&P (615 x 330mm approx.)
- 1952 (Sewers Vision) £59.95 inc. P&P(625 x 339mm approx.)

Flatbed adapter kit (Only suitable for 480 & 530mm openings)

- 1928 £49.95 inc P&P
- NEW!!** Flatbed extension table adapter with adjustable legs; cut to fit your sewing machine. (487 x 294mm table size approx.) £59.95 inc. P&P Please contact us for more information.

ORDER AN INSERT TO FIT YOUR NEW MACHINE TODAY!



The Horn easy air-lifter system explained....

Our easy to use air-lift system can be adjusted to fit virtually any domestic sewing machine...

It couldn't be easier or more effective. Simply push down on the top of your sewing machine and it will lift your machine to the desired position for you!

Position for Insert / Inset (Flat-bed position)

Table top position (Free-arm position)

Stored position

YOU NEED NEVER LIFT OR CARRY YOUR SEWING MACHINE AGAIN!

A Guide to the Horn delivery service....

An brief explanation of how our delivery system operates:

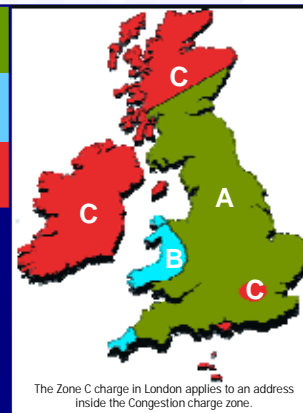
Stock availability allowing, all deliveries using our own vehicles will be carried out within a 28 working day period starting from the day of us receiving your order. This is not to be understood that the delivery will actually take place on the 28th day of your order, this period is only meant as a general guide and should be viewed as the maximum period (unless otherwise stated) that your delivery might be, it may well be that it will take place much sooner than this depending on when we are next in your area. What ever period it is we will never arrive unannounced and will always give you notice of delivery by telephone usually giving a minimum of 3 days notice with not only the day of delivery but also with a 3 hour delivery slot on that day so as not to inconvenience you more than is necessary. **With this our standard service your flexibility is appreciated and necessary to allow the delivery to take place with ease.** Particularly in these current times we understand that keeping costs down has never been more important so whilst trying to keep our delivery system as effective as it can possibly be we also try to keep our prices as competitive for you as possible. Some however may require a quicker delivery than this, we can offer an express service by using a specialist outside carrier, although this will incur an extra charge (stock and the area that you live allowing) this can usually be made within a 7 day period from us receiving the order. **Please note that there is no installation of your cabinet with this service as the delivery isn't made using our representatives, this also applies to any delivery made in Zone C of our map opposite.** Please contact us for more information on this service or for a tailored quote.

Zone A £29.00

Zone B £39.00

Zone C Price on request

Please be aware that there is only one driver to carry out the delivery and he/ she cannot be held under any obligation to take your cabinet upstairs. Any stairs mounted are wholly at the driver's discretion. Please also note that due to its boxed size it is not possible for our driver to take the SUPERIOR model (2042) up any stairs.



HORN.... Exceptional delivery & installation service: talk with any existing Horn delivery and they will have only praise for our service.



To find out where your nearest Horn outlet is or for more product information please contact:

Horn Furniture (UK) Limited,
Unit 12, Oaktree Business Centre,
Spitfire Way, South Marston Park,
Swindon, SN3 4TX.
Tel: 01793 834304
Email: info@hornfurniture.co.uk
Web: www.hornfurniture.co.uk

Dealer Stamp

Horn
Crafting... Quilting... Sewing Furniture
www.hornfurniture.co.uk

Our biggest & best brochure EVER!!

Summer/ Autumn 2014

Our Mission is your comfort whilst Sewing, Quilting, Patchworking or Crafting....

For more information on our delivery service, please see back page.

We reserve the right to change the construction, the measures, the colour and the design. All measurements are approximate & accessories are not included. The colours and veins of finishes are subject to technical alteration and deviations, the colours in this brochure are only meant as a guide, accuracy can't be guaranteed. Beech and White finished units are the same colour inside & out but other finishes have a cream effect interior- if in doubt please request a sample.

The
SUPERIOR

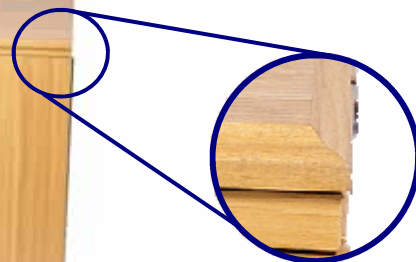
- our largest and most spacious unit... ever!



The SUPERIOR - Closed
From its large proportions when opened, it has the ability to close down dramatically

- ▶ Centre of the needle sitting position, allows you to be directly in front of the needle when sewing.
- ▶ Extra stable, open base construction; 12 easy rolling (4 lockable castors), are attached to a specially designed reinforced frame.
- ▶ 3 step push down release maxi air-lift mechanism means a quick push down moves your machine from storage to flatbed to free-arm positions and will fit all domestic sewing machines on the market old or new! Most overlockers too!
- ▶ A versatile caddy system which glides out easily and can be positioned for either close-in sewing/embroidery or quickly expanded to a more spacious operating set up. Spacious, see through door storage bins make finding thread etc.. *Easy!*
- ▶ The work surface is fitted with flush mounted non snag hinges.
- ▶ Two drawers with steel gliders and a handy magazine compartment which adds even more storage.
- ▶ Huge work area at the back of the machine. Lifts up easily when needed and down when not (so it doesn't have to be open all the time). It has a very sturdy gate leg design with Quilters/ Patchworkers in mind but is ideal for all sewing projects.
- ▶ Stores both a sewing machine and an overlocker. Or maybe a second smaller craft class machine
- ▶ Entire cabinet glides closed, and locks for child safety when not in use.
- ▶ Handy storage holder for your machine insert.
- ▶ Attractive soft formed edging finish to the tops
- ▶ Comes fully assembled, the cabinet is beautifully finished front to back, inside and out.

Finished with an attractive soft formed edge



Fitted with our Horn Maxi air-lifter!
Ideal for the new extra large sewing machines, such as- the Bernina 700 & 800 series, Brother V series, Janome Horizon Range and Husqvarna Diamond amongst others but its not just for larger machines its also ideal for any size of domestic sewing machine!

(Take a look at the back page to see how the air-lift works)

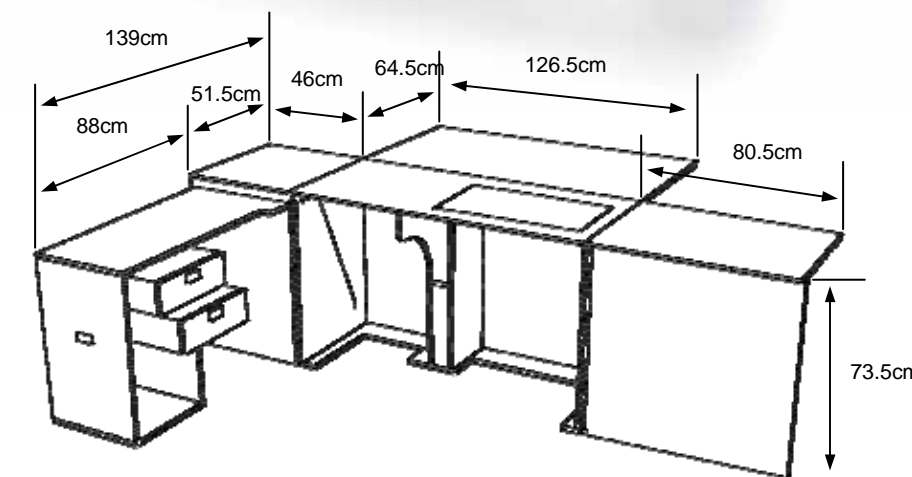


Huge seating area!

The SUPERIOR - Fully expanded
The clever design allows you to relocate the pull out caddy onto the door by means of keyhole connectors thus giving even greater access & leg room

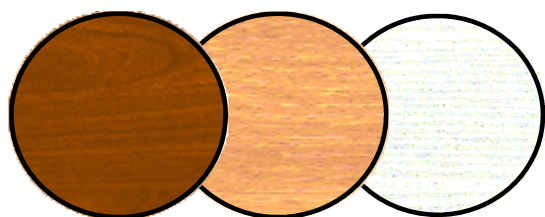


Centre of needle sewing position & back supported work area
- ideal for quilters
Wide open spaces!



CLOSED - WIDE 126.5cm (50") DEEP 56cm inc. drop leaf back (22") HIGH 76cm (29¾")

Colour Chart



Teak, Beech, White

Building on the huge popularity of the ECLIPSE the SUPERIOR adds even more to that original break through design. It offers even more leg room, it has even more storage, it's designed with the much talked of 'centre of needle' sewing position, it has even more large castors, not just for easy mobility but for stability to, even with its large size they will enable you to move it easily into position. It has the huge work area at the back of your machine which is supported with a sturdy gate leg, this will allow you when needed the beauty of extra support with larger projects it will offer you comfort and consistency of stitch. something that you may never have experienced before. Due to it's individual design and size it allows the user to carry out several different projects at once, the user can stand to the right of their machine and piece together for instance whilst on the far left can sit at another piece of equipment, their overlocker perhaps or maybe pressing items with an iron and pressing mat - it allows you the room to decide. It's for those of you who want that bit more, who need that extra space, who have that bit more room to fill. **It's the ECLIPSE but on a grand scale.**

The
ECLIPSE

- the ECLIPSE puts all the others in the shade

Centre of needle sewing position
& back supported work area - ideal for Quilters.
Fitted with our longer air-lifter.

(Take a look at the back page to see how the air-lift works)



The ECLIPSE - shown here from the back view - gives a huge, sturdy, gate leg supported work area



- ▶ Centre of the needle sitting position, allows you to be directly in front of the needle when sewing.
- ▶ Extra stable, open base construction; 8 easy rolling (3 lockable) castors, are attached to a specially designed reinforced frame.
- ▶ 3 step push down release air-lift mechanism means a quick push down moves your machine from storage to flatbed to free-arm positions and will virtually fit all domestic sewing machines on the market old or new!
- ▶ Spacious, see through door storage bins make finding thread etc.. Easy!
- ▶ Door storage bins are recessed under the lid by means of a specially constructed angled door system this allows your fabric to drape down without catching or disturbing the door bin contents.
- ▶ A large deep drawer with steel gliders.
- ▶ Huge work area at the back of the machine. Lifts up easily when needed and down when not (so it doesn't have to be open all the time). It has a very sturdy gate leg design with Quilters/ Patchworkers in mind but is ideal for all sewing projects.
- ▶ Stores both a sewing machine and an overlocker. Or maybe a second smaller craft class machine
- ▶ Entire cabinet glides closed, and locks for child safety when not in use.
- ▶ Handy storage holder for your machine insert.
- ▶ Attractive soft formed edging finish to the tops.
- ▶ Comes fully assembled, the cabinet is beautifully finished front to back, inside and out.

One of our
most popular
units of all

It's popularity knows no end!

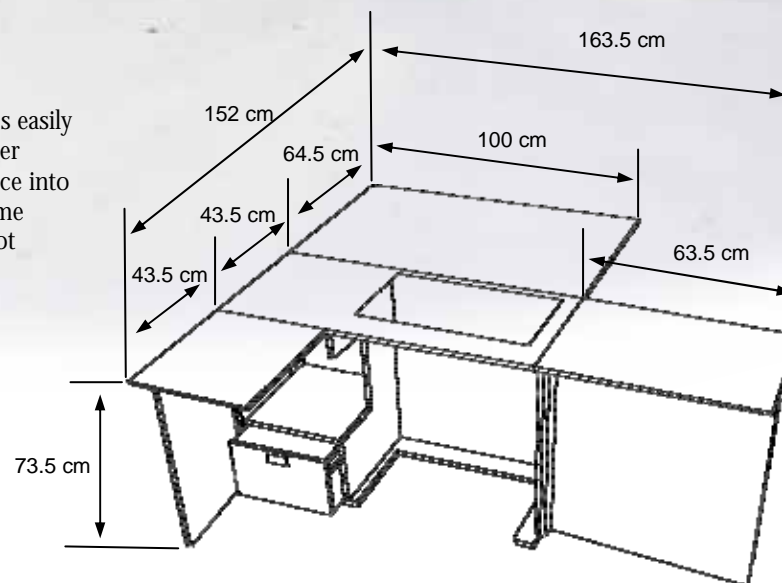
From first viewing the advantages are immediately clear, it's compact enough to fit into any room, it glides easily into position on 8 castors, it's able to fit both a sewing machine and an overlocker, it's fitted with the longer lifter to allow it to fit most longer armed machines, it has an angled door not only to reduce swing out space into the room but also allow the door bins to recess under the lid to prevent catching of material and at the same time giving more support to the lid, it's now available in all of our 5 finishes, it's lockable with a key, it's got loads of storage and it's got a back work area. Simply put the Eclipse puts all the others in the shade.

Colour Chart



Teak, Beech, Medium Oak, Light Oak, White

Now in white!



CLOSED - WIDE 100cm (39½") DEEP 48cm inc. drop leaf back (19") HIGH 76cm (29¾")
(Internal dims for overlocker space - WIDE 34cm, DEEP 40cm, HIGH 42cm)

Beautifully finished soft
formed edges



The ECLIPSE - Very compact when Closed.

The
QUILTER'S
DELIGHT MK2

- a uniquely designed Quilting table.... for you & your sewing machine!

Huge working area
when your machine
is away and the
back area is up

You wanted :

- ▶ A large working area positioned all around you and able to support even the largest projects,
- ▶ A handy support to the right of the machine,
- ▶ A greater seating area ,
- ▶ More drawer storage,
- ▶ A large flat area to cut out / piece on when the machine is away,
- ▶ Arrives with everything included for one unbeatable price,
- ▶ The ability to accommodate even the largest sewing machines,

It's what you've been waiting for.... Order yours today!

INCLUDED- the QD2 is automatically supplied with a filler piece which fills in the hole left when your machine is stored away, so with the back area up it will create a large solid cutting area.



The QD2 - with the back work surface down



The QD2 - with the back work area up - rigid stability on the 2 supporting legs!

INCLUDED- a handy mobile set of drawers which when stored sits tidily inside the main table, so reducing its floor space, but when pulled out to be used it can be moved to any position best suited for you.

The QD2 - Closed down (with hole filler piece in place)



A work bench purpose made for Quilting!

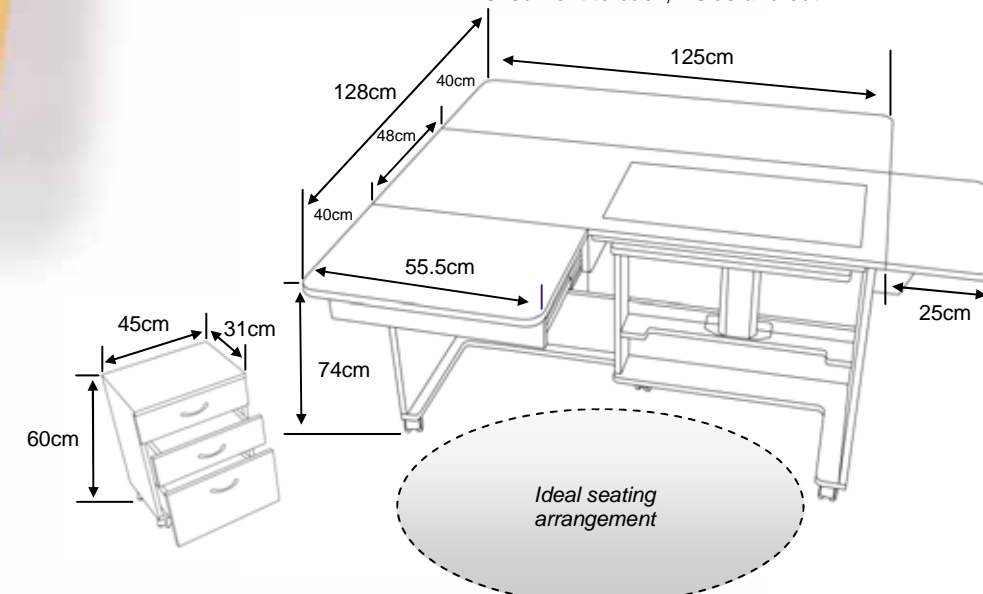
You can add to your storage with our Rolla storage unit



- ▶ Centre of the needle sitting position, allows you to be directly in front of the needle when sewing.
- ▶ Extra stable, open base construction; 7 easy rolling lockable castors (main unit) & 4 on the set of drawers, attached to a specially designed reinforced frame.
- ▶ 3 step push down release air-lift mechanism means a quick push down moves your machine from storage to flatbed to free-arm positions and will fit virtually all domestic sewing machines on the market old or new!
- ▶ A Handy set of mobile drawers included.
- ▶ Back work area behind the sewing machine. Lifts up easily when needed and down when not (so it doesn't have to be open all the time). It has a very sturdy dual gate leg design with Quilters/ Patchworkers in mind but is ideal for any sewing project.
- ▶ Additional filler piece included. So you can fill in the hole that is left when the machine is down. This gives you a large area to cut out, piece on etc...
- ▶ Extra work surfaces to the left & right of you.
- ▶ Handy storage 'cubby hole' under the left side flap for machine accessories.
- ▶ Comes fully assembled, the cabinet is beautifully finished front to back, inside and out.

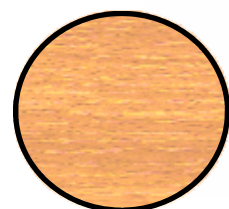
Fitted with our Horn Maxi air-lifter!
Ideal for the new extra large sewing machines- such as the Bernina 800 series, Brother V Series Janome Horizon Range & Husqvarna Diamond amongst others but its not just for larger machines its also ideal for all normal sized domestic sewing machines too!

(Take a look at the back page to see how the air-lift works)



CLOSED - WIDE 127cm (50") DEEP 52cm inc. drop leaf back (20") HIGH 74cm (29")

Colour Chart



Beech

The QD2 - opens up to offer you not only a huge supported work space every where you need it but a great deal of storage too!

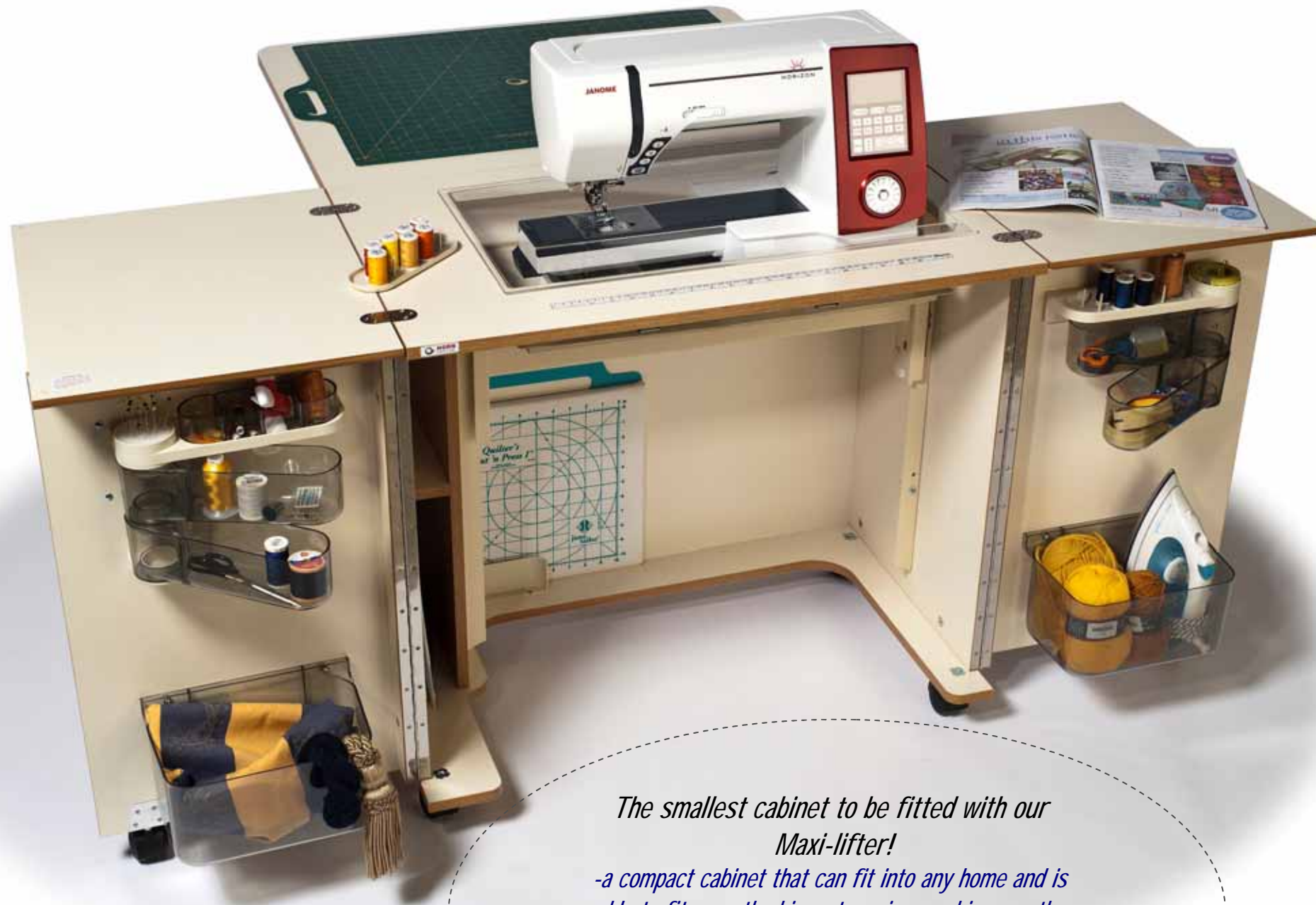
Please note that this cabinet is very big and any stairs mounted will be at the driver's discretion

MODEL 2032 Price includes flatbed inset

The Maxi
OUTBACK

- still as compact & now fitted with our largest lifter!

Improved
Design!



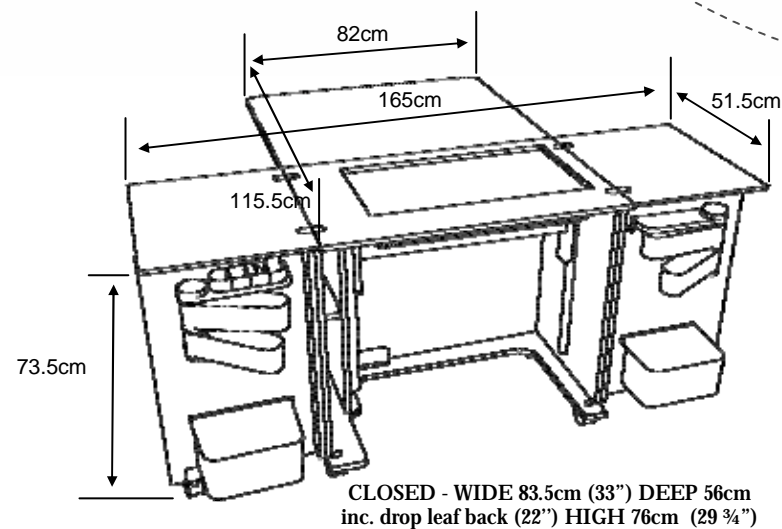
When the back work area's up, its ideal for working on.
(The Cutting mat shown is an optional extra)

- ▶ Centre of the needle sitting position, allows you to be directly in front of the needle when sewing.
- ▶ Extra stable, open base construction; 7 easy rolling (3 lockable) castors, are attached to a specially designed reinforced frame.
- ▶ 3 step push down release maxi air-lift mechanism means a quick push down moves your machine from storage to flatbed to free-arm positions and will fit all domestic sewing machines on the market old or new!
- ▶ Spacious, see through door bins are recessed under the lid by means of a specially constructed angled door system this allows your fabric to drape down without catching or disturbing the door bin contents. Also a handy magazine compartment with dividing shelf which adds even more storage.
- ▶ The work surface is fitted with flush mounted non snag hinges.
- ▶ Large work area at the back of the machine. Lifts up easily when needed and down when not (so it doesn't have to be open all the time). It has a very sturdy gate leg design with Quilters/Patchworkers in mind but is ideal for all sewing projects..
- ▶ Handy storage holder for your machine insert.
- ▶ Attractive soft formed bevelled edging finish to the tops
- ▶ Comes fully assembled, the cabinet is beautifully finished front to back, inside and out.

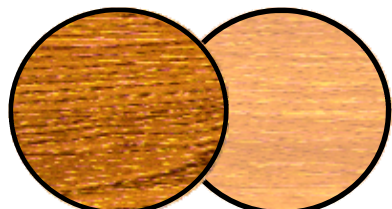
The smallest cabinet to be fitted with our
Maxi-lifter!

-a compact cabinet that can fit into any home and is able to fit even the biggest sewing machines on the market today; i.e. Bernina 700 & 800 series, Brother V series, Janome Horizon Range and Husqvarna Diamond to name a few....
(Take a look at the back page to see how the air-lift works)

Just 2ft 9ins by 1ft 10ins
when its closed!



Colour Chart



Medium Oak, Beech

Beautifully finished soft
formed edges



The Maxi- OUTBACK closed,
nicely finished with a soft formed edge

The Maxi Outback is our compact
cabinet that will fit all the big long
armed sewing/ quilting machines!

The GEMINI

- a super compact Sewing / Quilting station

The Gemini offers' great value for money!



The GEMINI - pictured here in Beech- is fitted with the excellent recessed door design and handy easy up compact back flap

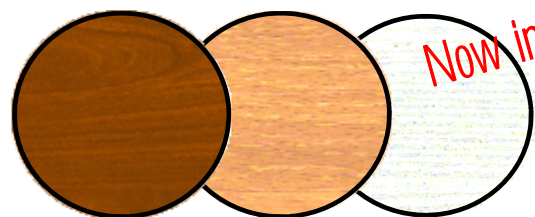
- ▶ Centre of the needle sitting position, allows you to be directly in front of the needle when sewing.
- ▶ Extra stable, open base construction; 7 lockable easy rolling castors, are attached to a specially designed reinforced frame.
- ▶ 3 step push down release air-lift mechanism means a quick push down moves your machine from storage to flatbed to free-arm positions and will fit virtually all domestic sewing machines on the market new or old!
- ▶ Door storage bins are recessed under the lid by means of a specially constructed angled door system this allows your fabric to drape down without catching or disturbing the door bin contents.
- ▶ Fantastic newly designed spacious, see through thread boxes that are designed to be removable. This not only makes finding thread etc.. Easy... but you can take them with you as well! Also a handy magazine compartment with dividing shelf which adds even more storage.
- ▶ The work surface is fitted with flush mounted non snag hinges.
- ▶ A compact, convenient lift up work area at the back of the machine. It lifts up easily when needed and down when not (so it doesn't have to be open all the time). It has a very sturdy gate leg design with Quilters/ Patchworkers in mind but is ideal for all sewing projects.
- ▶ Comes fully assembled, the cabinet is beautifully finished front to back, inside and out.

Centre of needle sewing position & back supported work area. Ideal for Quilters who are tight for space. Fitted with our longer air-lifter.

(Take a look at the back page to see how the air-lift works)

Only needs 2½ ft by 1½ ft floor space when closed

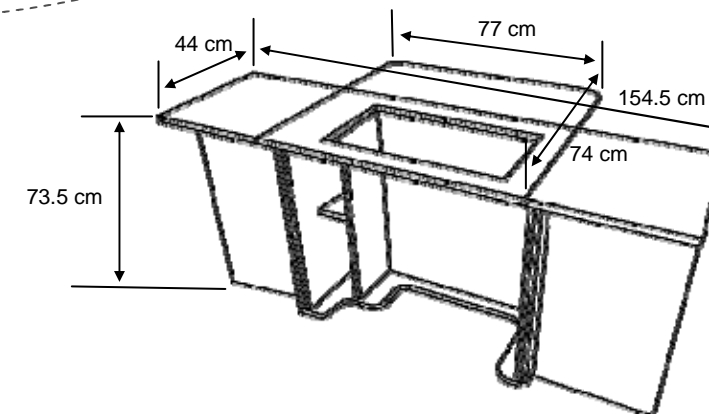
Colour Chart



Teak, Beech, White

Now in white!

NEED MORE STORAGE? You can add a Rolla storage unit to match in with his model!



CLOSED - WIDE 77cm (30¼") DEEP 46cm (18¼") inc. drop leaf back HIGH 76cm (29¾")



The GEMINI - Super compact closed

The CALYPSO

-one of our most ingenious designs.... ever!

Fantastic open seating area design

It will store both your sewing machine and overlocker or perhaps your smaller work shop sewing machine

- ▶ Centre of the needle sitting position, allows you to be directly in front of the needle when sewing.
- ▶ Extra stable, open base construction; 8 easy rolling (3 lockable) castors, are attached to a specially designed reinforced frame.
- ▶ 3 step push down release maxi air-lift mechanism means a quick push down moves your machine from storage to flatbed to free-arm positions and will fit all domestic sewing machines on the market old or new!
- ▶ Spacious, see through door storage bins make finding thread etc.. easy.
- ▶ Door storage bins are recessed under the lid by means of a specially constructed angled door system this allows your fabric to drape down without catching or disturbing the door bin contents.
- ▶ The work surface is fitted with flush mounted non snag hinges.
- ▶ A large deep drawer with steel gliders.
- ▶ Stores both a sewing machine and an overlocker. Or maybe a second smaller craft class machine
- ▶ Entire cabinet glides closed, and locks for child safety when not in use.
- ▶ Handy storage holder for your machine insert.
- ▶ Attractive soft formed edging finish to the tops.
- ▶ Comes fully assembled, the cabinet is beautifully finished front to back, inside and out.

The CALYPSO - still compact when Closed



Beautifully finished soft formed edges

Inspired door Design

Compared with many of our larger units the CALYPSO needs very little extra floor space when its closed

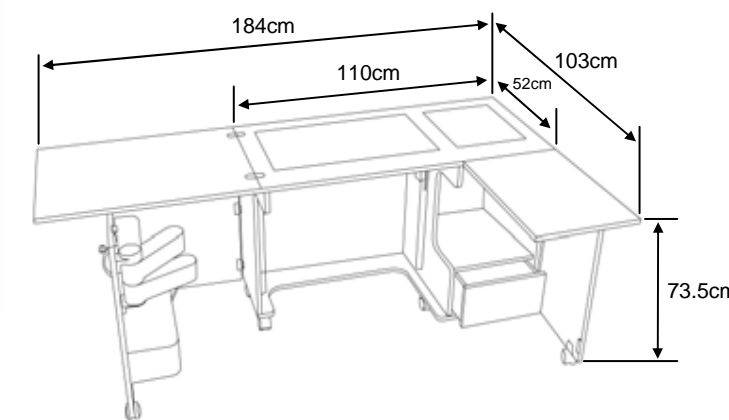
Like our SUPERIOR model the CALYPSO is made with greater depth to the cabinet which is another subtle way of adding to the perfect seating position



The radical CALYPSO design gives plenty of width and depth to give you greater leg room and ultimately comfort. Made even better if you add our Horn Hobby chair to enhance your perfect sewing position!

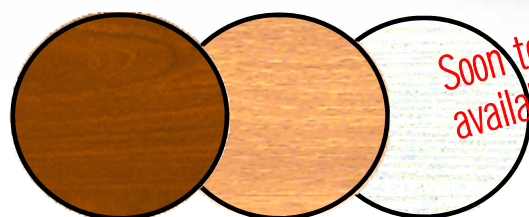
Fantastic central seating area.
For it's size, there's never been anything quite like this!!

The CALYPSO is based on one of our most popular designs ever- the Nova- but with some great new improvements!



CLOSED - WIDE 110cm (43½") DEEP 52cm (20") HIGH 76cm (29¾)

Colour Chart



Teak, Beech, White

Soon to be available in white!

Fitted with our Horn Maxi air-lifter!

Ideal for the new extra large sewing machines- such as the New Bernina 700 & 800 series, Brother V series, Janome Horizon Range and Husqvarna Diamond amongst others but its not just for larger machines its also ideal for all normal sized domestic sewing machines too!

(Take a look at the back page to see how the air-lift works)

MODEL 1092 Price includes flatbed insert

The NOVA

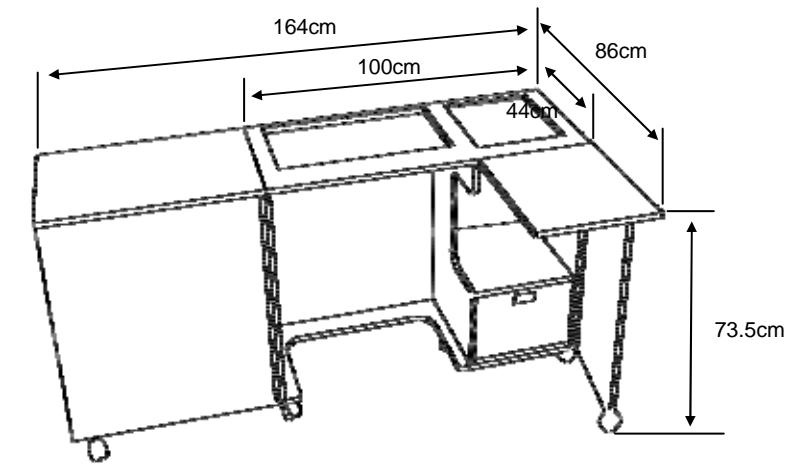
- the Classic Sewing Cabinet



Closed the NOVA is a handsome compact piece of furniture shown here in Medium Oak

Improved door Design!

With the NOVA you can store both your sewing machine, overlocker and all your vital sewing accessories in one easy to get at location - no problem!



CLOSED - WIDE 100cm (39½") DEEP 44cm (17½ ") HIGH 76cm (29¾")

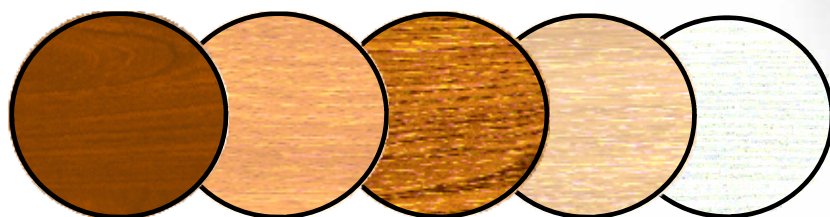
Heaps of storage & fitted with a handy removable accessory tray

- ▶ Tops open to become work area extensions and an organiser door that swings open smoothly and easily and locks into place.
- ▶ An extra deep drawer, handy shelf, and a recessed table top accessories organiser adds even more storage.
- ▶ Extra stable, open base construction; 7 easy rolling lockable castors, are attached to a specially designed reinforced frame.
- ▶ 3 step push down release air-lift mechanism means a quick push down moves your machine from storage to flatbed to free-arm positions and will fit virtually all domestic sewing machines on the market old or new!
- ▶ Spacious, see through door bins make finding thread etc... easy.
- ▶ The work surface is fitted with flush mounted non snag hinges.
- ▶ A large deep drawer with steel gliders.
- ▶ Handy storage holder for your machine insert. Stores both a sewing machine and an overlocker. Or maybe a second smaller craft class machine
- ▶ Entire cabinet glides closed, and locks for child safety when not in use.
- ▶ Comes fully assembled, the cabinet is beautifully finished front to back, inside and out.



Our most compact unit that can take both an overlocker and sewing machine

Colour Chart



Teak, Beech, Medium Oak, Light Oak, White

Available in 5 finishes!

Fitted with our longer air-lifter

(Take a look at the back page to see how the air-lift works)

The CUB plus

- the Cub's still as cheeky as ever!

NEED MORE STORAGE?
You can add a Rolla storage unit to match in with this model!



SO COMPACT!
Only 2 ft by 1½ ft when closed

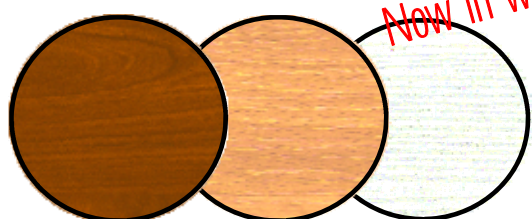
Fitted with our standard air-lifter.

(Take a look at the back page to see how the air-lift works)

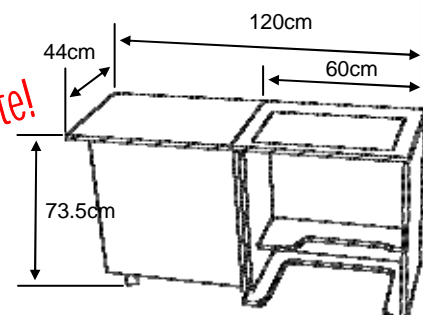
- ▶ Extra stable, open base construction; 5 easy rolling lockable castors, are attached to a specially designed reinforced frame.
- ▶ 3 step push down release air-lift mechanism means a quick push down moves your machine from storage to flatbed to free-arm positions and will fit many domestic sewing machines on the market old or new!
- ▶ Fantastic newly designed spacious, see through thread boxes that are designed to be removable. This not only makes finding thread etc.. Easy... but you can take them with you as well!
- ▶ Door storage bins are recessed under the lid by means of a specially constructed angled door system this allows your fabric to drape down without catching or disturbing the door bin contents.
- ▶ The work surface is fitted with flush mounted non snag hinges.
- ▶ Comes fully assembled, the cabinet is beautifully finished front to back, inside and out.

The Cub+ offer's so much for your money!

Colour Chart



Teak, Beech, White



CLOSED - WIDE 60cm (23¾") DEEP 44cm (17½") HIGH 76cm (29¾")

MODEL 1010 *The flatbed insert is an optional extra with this unit at £39.*



The CUB plus is super compact when closed

The Maxi HOBBY - TABLE

New & Improved!

- ▶ A table ideal for Cutting, Quilting, Sewing, smocking in fact any hobby!
- ▶ Storage for both your sewing machine and an overlocker
- ▶ There are storage cupboards on both sides
- ▶ Rounded table corners for safety

- ▶ 87cm (34 ½ ins) height is ideal for working while standing up. No bending, kneeling or stooping!
- ▶ Extra Stable construction; easy-rolling castors are attached to a specially designed reinforced frame, much more stable than a folding or dining room table.
- ▶ Rounded corners keep your projects safe from snags and from children catching themselves accidentally.
- ▶ Handy storage cupboards located on both sides.
- ▶ Storage shelves are adjustable or removable.
- ▶ Entire unit quickly folds down and easily rolls away when not in use.
- ▶ Comes fully assembled. Table is beautifully finished front and back, inside and out.



Useful storage cupboards both sides...



...one side fitted with an adjustable shelf for larger items...



...the other fitted with removable storage baskets.

Slim & Mobile when closed



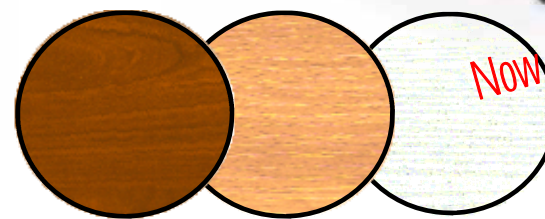
Extra stable double leg design

The correct height to stand and work at

87cm

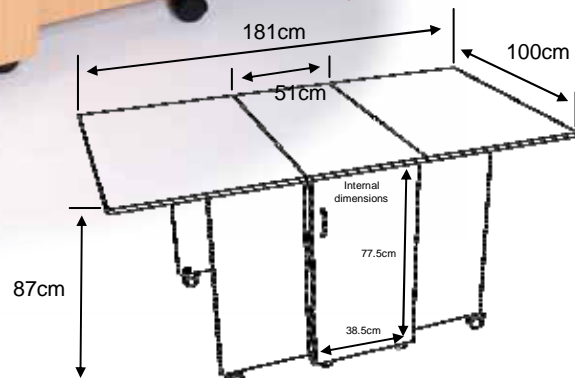
New larger table size

Colour Chart



Teak, Beech, White

We regret that this cabinet is too large to be taken upstairs by our driver.



CLOSED - WIDE 100cm (39½") DEEP 51cm (20") HIGH 87cm (34¼")

MODEL 2005 - *(The Cutting mat shown is an optional extra)*

- another great idea from Horn-
Ideal for all types of hobby... Sewing, Quilting, Patchwork, Cutting, Piecing....anything!!



This is real magic!

Your sewing machine can be operated in either a table top position (for free-arm or embroidery use etc...) or lowered for our inset to be fitted around it to give a huge flatbed sewing position. Alternatively you can remove your machine entirely and use it as a large cutting out surface. There's even a purpose made cutting mat available which is made to fit the table dimensions perfectly.



It easily & conveniently folds up out of the way when not being used

NEED MORE STORAGE?
You can add a Rolla storage unit to match in with this model!

*Great table size;
60" by 40"
Ideal for any craft use.*

*Unrivalled freedom & Comfort.
No more kneeling, bending or stooping ...
for anyone*

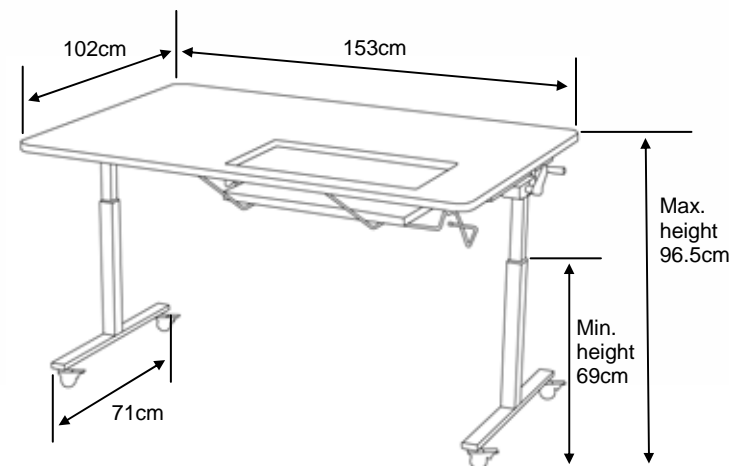
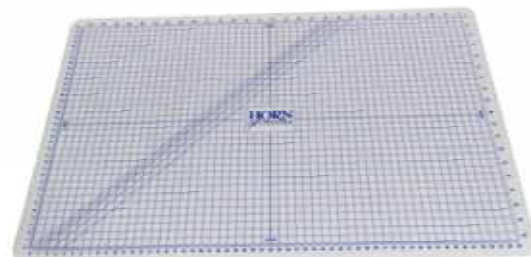
- ▶ Tough, knock resistant ABS edging surrounds the top of the table- for increased durability.
- ▶ 1" thick table top for extra strength.
- ▶ Tilts for storage by means of a pull release catch mechanism to give back valuable floor space to a room.
- ▶ Easily height adjustable by simply turning a crank handle.
- ▶ Can be raised to work on above other furniture in the room.
- ▶ A large height adjustment range to suit virtually any user. Can be lowered to sit at or raised to stand and work at.
- ▶ Clever platform for the sewing machine to rest on; can either be dropped for flatbed use or raised for free-arm or embroidery arm use.
- ▶ Maxi aperture; giving it the ability to fit even the largest sewing machines on the market.
- ▶ 1 inset to fit sewing machine included

*Fitted with our Horn Maxi sized opening!
Ideal for the new extra large sewing machines, such as- the Bernina 700 & 800 series, Brother V series, Janome Horizon Range and Husqvarna Diamond amongst others but its not just for larger machines its also ideal for any size of domestic sewing machine!*



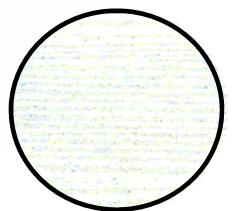
Easy and quick height adjustment by the turn of a handle. Maintenance free, reliable & simple to operate!

Made to measure cutting mat available for this table



4 large, rubberised, lockable castors

Colour Chart



White

The HILO

- arguably the best craft table.... ever!

The Horn HILO – the table that’s taking the Sewing, Patchwork & Quilting community by storm.

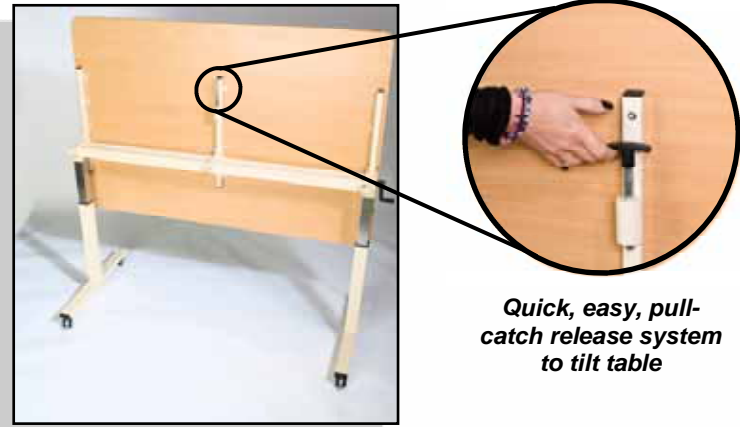
Something that we’ve been asked for over and over again in the past is a large work surface that has the ability to have its height adjusted. Well its taken its time and after pain staking development.... its now here! From first viewing what’s immediately obvious is the quality and strength of its build, it has the same 1” inch thick table top as the *STELLA* unit this gives true support & strength when heavy duty use is required and it has a durable ABS knock resistant edge to put up with years of use. It’s finished with a hard wearing, fresh and tasteful Beech veneer, the main construction is of strong steel covered in a home friendly cream anti- bacterial powder coating to keep it clean & sterilised and its fitted with easy mobile lockable wheels, which again are of a commercial grade finish. It is capable of adjusting from a comfortable sitting height of 70.5cm to a full 97.5cm standing height (approx), the overall work area is 102cm (40”) x 152.5cm (60”) something that will impress even the mightiest of its users. The height is adjusted simply by turning a crank handle which is situated on the side of the table, this crank adjustment has a high turn ratio which allows the user to smoothly and easily raise or lower the table even whilst weight is on it, be it a light project or even with heavier items such as sewing machine equipment. The hand crank system is simple but very effective, foolproof and extremely reliable with far less to go wrong, this will ensure years of trouble free service for which Horn has become renowned. But what if space is a problem? No problem another great feature of the HILO is that it allows the table to tilt upwards out of the way so when not needed it can give back valuable floor space to your room, once up it can be used as a handy design wall. As an extra there is also available a tailor made hobby/cutting mat which can be used for rotary cutting and will accept pins to hold your projects in place, this can be purchased together with the HILO or at a later date depending on your needs.

Unrivalled freedom & Comfort. No more kneeling, bending or stoopingfor anyone

NEED MORE STORAGE?
You can add a Rolla storage unit to match in with this model!

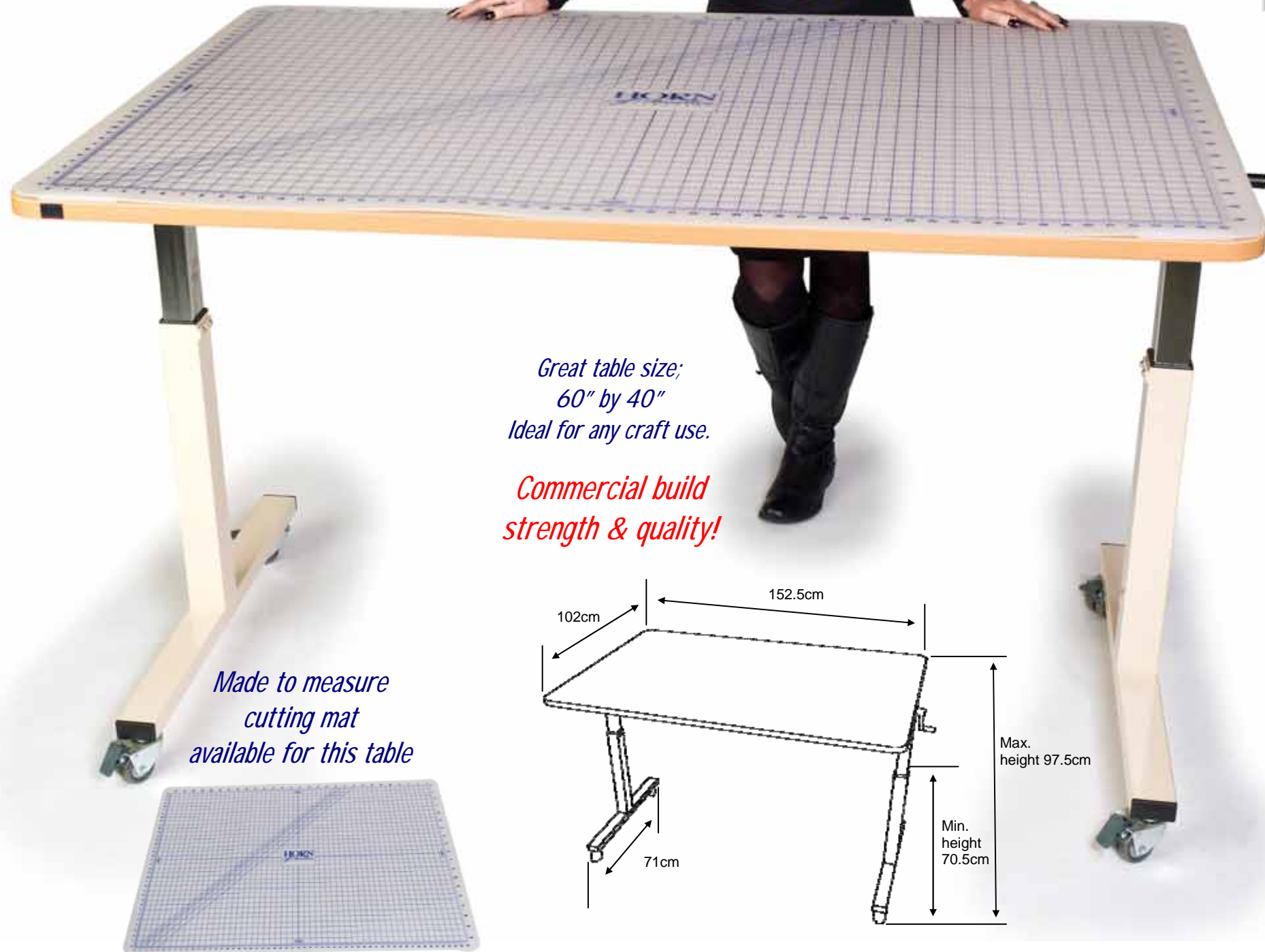


Easy and quick height adjustment by the turn of a handle. Maintenance free, reliable & simple to operate!



Quick, easy, pull-catch release system to tilt table

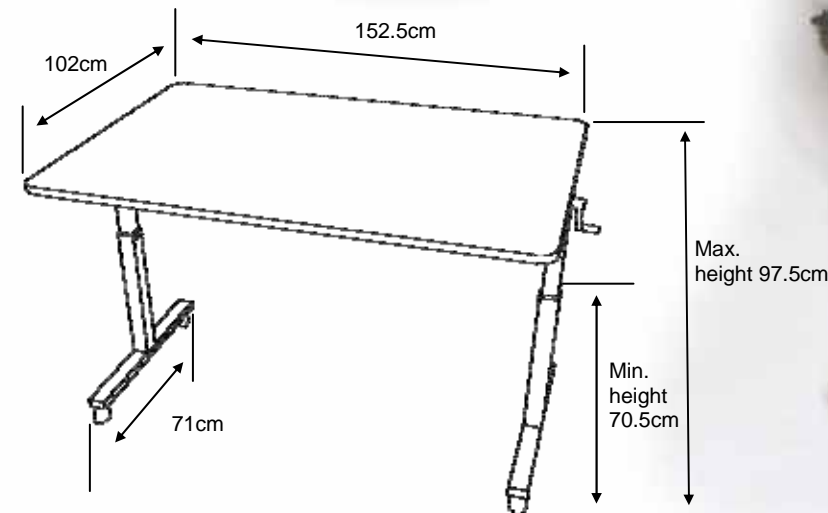
The HILO conveniently folds up out of the way when not in use



Great table size; 60” by 40” Ideal for any craft use.

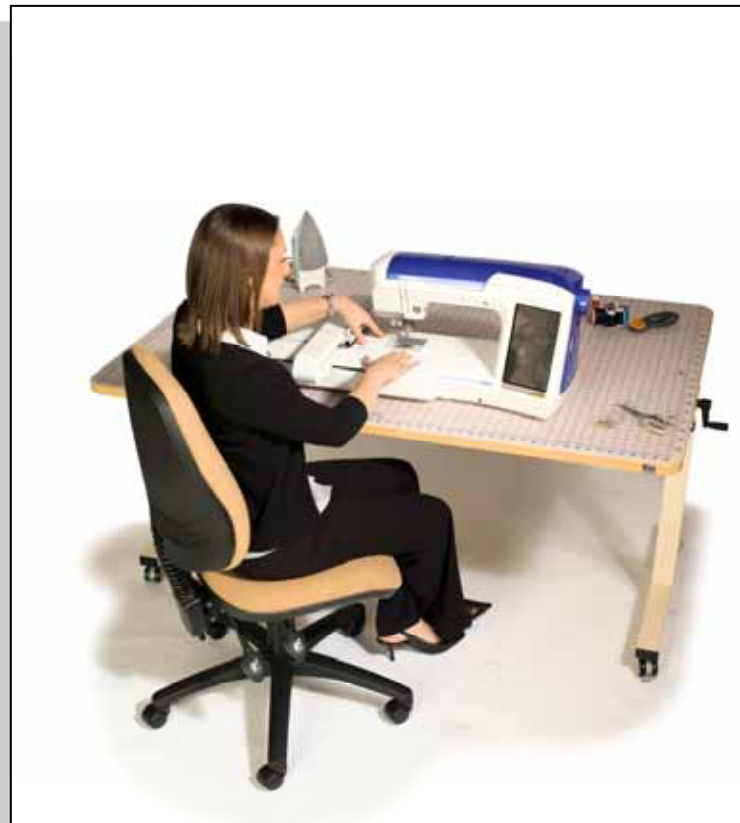
Commercial build strength & quality!

Made to measure cutting mat available for this table



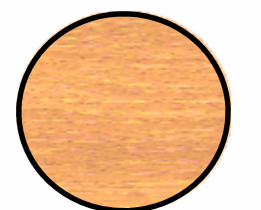
Not just for sewing... ideal for photography, graphic work or any craft use

The HILO will raise to your perfect height. Pictured here with the optional Horn Cutting/ Craft mat



The HILO will easily lower to your sitting height and allows huge leg room

Colour Chart



Beech

The STELLA

- Great storage and height to work at!

Commercial build strength & quality!



The STELLA (Closed)

Due to its height, strength & storage the Stella is perfect for all kinds of craft or embroidery machines.

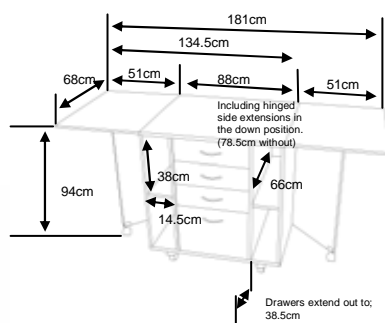


A cleverly hidden platform above the top drawer



- ▶ Super sturdy with 6 castors in all, 4 being extra large, heavy duty, lockable wheels fitted to the main body - make's for easy mobility regardless of stored weight or once locked holds rigidly in your chosen place.
- ▶ Tough, knock resistant ABS edging surrounds the top of the table- for increased durability.
- ▶ A convenient slide out hooping platform that when not in use hides away above the top drawer- great for placing scissors etc... when table top is covered.
- ▶ 4 large deep drawers and the bottom drawer is extra deep; perfect for storing bulky machine accessories eg; cap frames....
- ▶ 4 large pigeon holes- ideal for storing large embroidery frames, cutting mats, magazines....
- ▶ Lift up work areas either side of the main body that are held in place by sturdy gate leg supports- have them either up or down when needed.
- ▶ 1" thick table top- helps eliminate vibration and limits operational noise with larger machines.

Please note that due to its finished size this unit is supplied in an easy-ready to assemble- form which makes for trouble free delivery or collection and will make upstairs or other more awkward locations no problem.



CLOSED - WIDE 88cm (34 1/2") DEEP 68cm (26 3/4") HIGH 94cm (37")

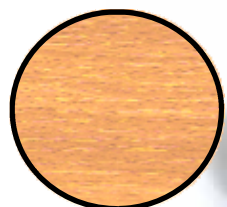
Huge storage capacity drawers and pigeon holes ideal for awkward specialist items e.g. embroidery hoops etc...



A perfect height to stand and work at!

The STELLA Model 3006 (Opened)

Colour Chart



Beech

ROLLA STORAGE

- A great storage idea from Horn

The Rolla- storage is so compact and neat



- ▶ Compact and easily mobile on 5 large lockable castors.
- ▶ 270° door hinges which allow the door to fold conveniently out of the way when its open.
- ▶ Robust removable storage trays, ideal to be taken to where you need to work.
- ▶ Available in 2 popular finishes; Fresh Beech & Warm Teak an now Clean White.
- ▶ Solid, sturdy & quality construction.
- ▶ Made to match in with, more specifically, the Gemini, Cub Plus and the Hilo & Sewer's Vision but will be a to compliment any existing Horn cabinet.
- ▶ Made to match the height of a Horn cabinet when its open so creating a valuable level & increased work area.

Colour Chart

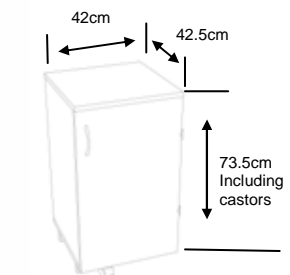


Teak, Beech, White

Now in white!



The Rolla- storage will sit happily either side of your existing Horn sewing cabinet or have 2..... one for both sides of your cabinet. You've plenty of storage now!



CLOSED - WIDE 42cm (16 1/2") DEEP 42.5cm (16 3/4") HIGH 73.5cm (29")

The Rolla Storage model 906

HORN HIDE-AWAY

- Get mobile with the Hide-away

Choose between a fresh clean white finish with a matching white frame



Or a traditional medium oak with a matching brown frame



The Hide-away quickly unfolds into a sturdy open legged sewing area with both a free-arm sewing position and more importantly a uniquely designed flat-bed sewing position. Ideal convenience for today's sewers' mobile needs.

- ▶ Ingenious and unique lift up flatbed work surface. This allows you to comfortably work on the Hide-away as just a table or its quickly convertible to a flatbed work area for more specialized sewing at the correct height,
- ▶ An insert cut specifically to fit around your sewing machine to give you a large flatbed work area- **Insert Included!**
- ▶ Available in 2 hard wearing, home friendly finishes,
- ▶ Solid, sturdy & quality construction, **it will really surprise you how good it is!**
- ▶ Light, portable design which allows it to be taken with you and your machine,
- ▶ Arrives fully assembled, all you need to do is unpack it!

Dimensions:- Wide: 106cm (41 3/4") Deep: 49.5cm (19 1/2") High: 69.5cm (27 1/4") open 79cm (31")



I only weigh 16.5Kg's!

The Hide-away folds down quickly & easily allowing it to be portable and to store in any convenient household location or taken with you to a friend's house, club or class perhaps?



Model 33

The CUT EASY MK2

The Cut Easy Mk2 with cutting/ working surface open.



New!



The Cut Easy Mk2 completely folded down.

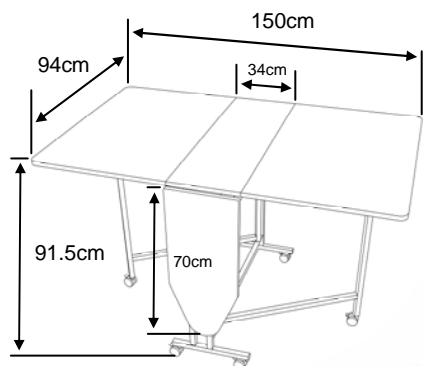


The Cut Easy Mk2 with a partially opened cutting/working surface & pressing table up.

Flat-bed Extension table

New!

- Extremely compact when closed.
- Very versatile for all types of craft use.
- Sturdy construction.
- Ideal standing height.
- Handy built in pressing/ ironing board.
- Huge work surface when fully opened.
- Easily movable on large lockable castors.
- Arrives in an easy to assemble form which makes it ideal to build up in awkward to get to places in the home.



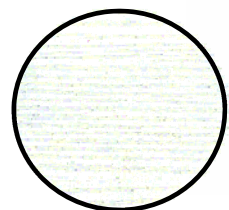
Dimensions when closed:
34cm (13 1/3") Wide
94cm (37") Deep
91.5mm (36") High



Cut Easy MK2 completely opened up

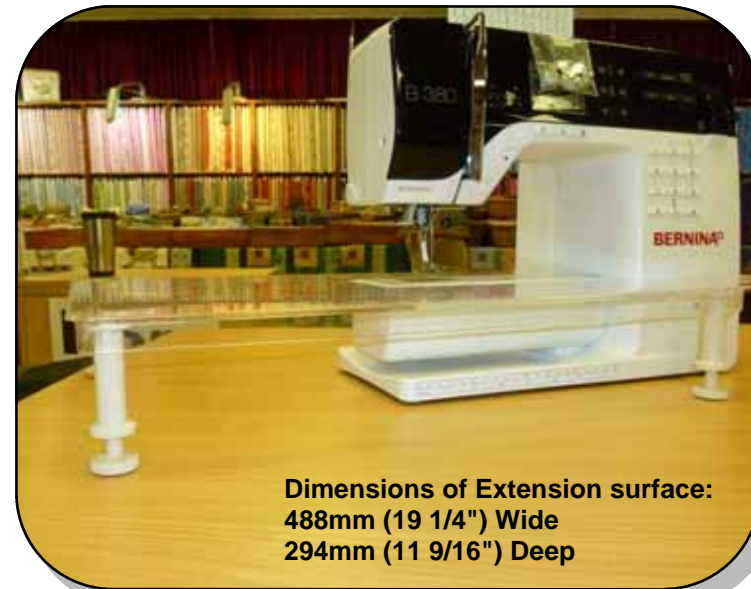
Great standing height... 36ins!

Colour Chart



White

- Custom cut to fit almost all sewing machines.
- Handy size.
- Quick, easy assembly.
- Adjustable height legs to allow easy height adjustment to suit your machine.
- Ideal for all those current or older sewing machines that an extra flatbed adapter table either wasn't made for or now not available for.

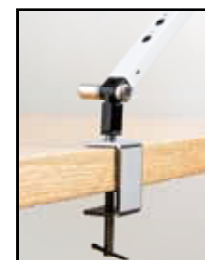


Dimensions of Extension surface:
488mm (19 1/4") Wide
294mm (11 9/16") Deep

An adapter to extend the flatbed work surface of your sewing machine.

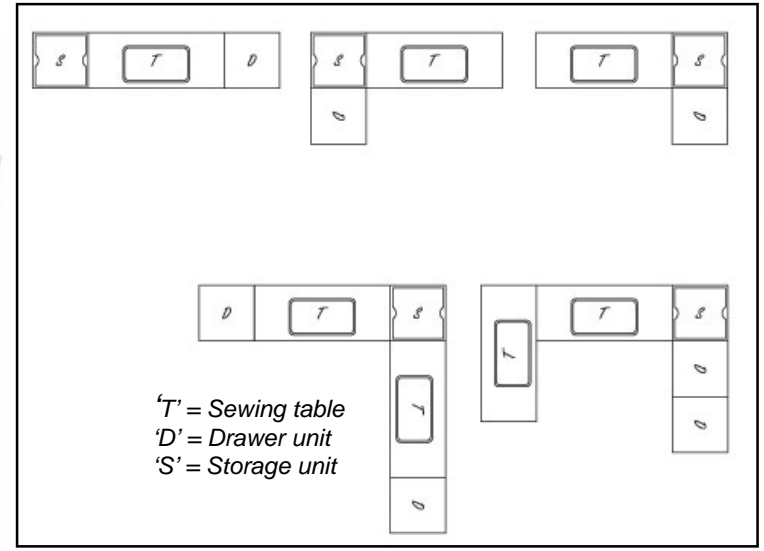
COMING SOON....

A new fully adjustable, dimmable, LED daylight lamp in a clean white finish with an added handy fixing clamp for easy fitment to our cabinets. MORE INFORMATION SOON...



The ELEMENTS

New!



The 'Elements' Sewing table (Model 201)

Mix and match units to create your perfect sewing set-up!

3 different types of unit allowing you to Choose your own arrangement!
The clever modular design gives many different configuration possibilities allowing it to fit perfectly into your home. When assembled each unit can be fixed together (with fixings screws provided) to give a sturdy continuous surface. Above we've shown a few setup ideas to get you started....

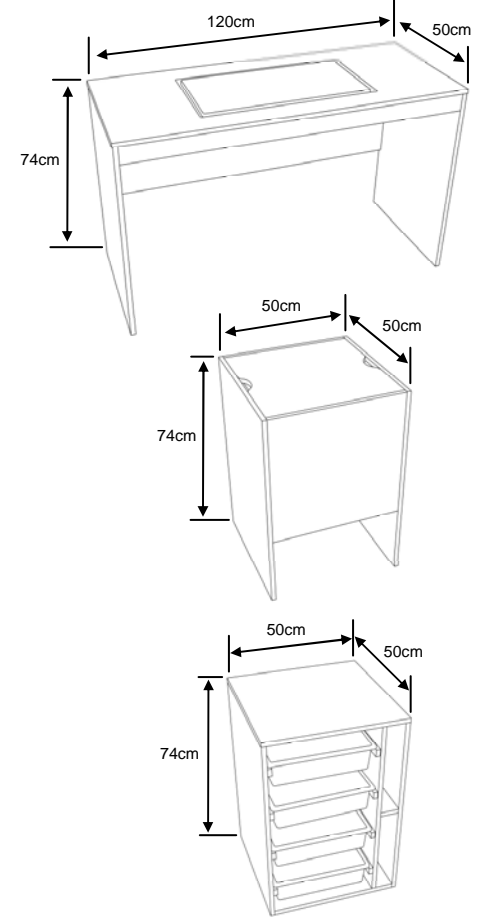
The Elements when combined becomes so much more than the sum of its parts!



The 'Elements' Drawers (Model 202)



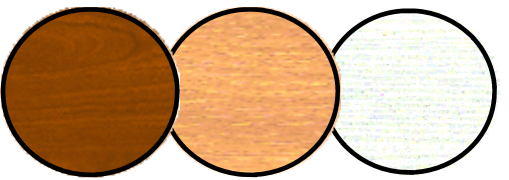
A huge spacious seating area allowing the perfect seating position!



The 'Elements' Storage chest (Model 203)

Fitted with our maxi opening!

Colour Chart



Teak, Beech, White

- Available in 3 of our most popular finishes.
- The 'Elements' clever design allows for many different configurations to fit in with your room.
- Fitted with our maxi aperture/ opening giving it the ability to fit even the largest domestic sewing machines.
- Fitted with a 2-position manual mechanism platform which allows either a flatbed or free-arm sewing position. Each position can be reached by a quick release adjustment lever. To get the most out of the flatbed position you can purchase a separate inset (part number- 1942) cut to fit your particular brand of sewing machine.
- Great value. Start with just the main table unit and add to it depending on what you decide or up to whatever you can afford.
- Arrives in an easy to assemble form which makes for easy collection and allows it to be built up in awkward to get to places in the home.

Available in 3 finishes!

The HOBBY - CHAIR

- the Horn Hobby Chair



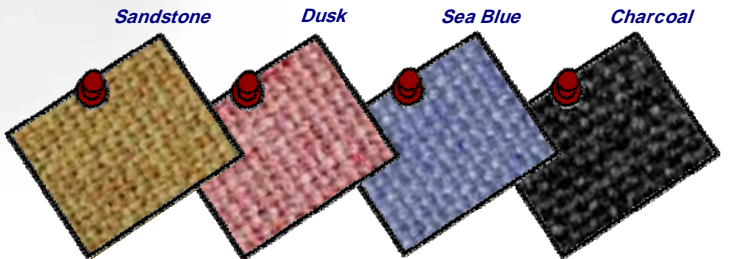
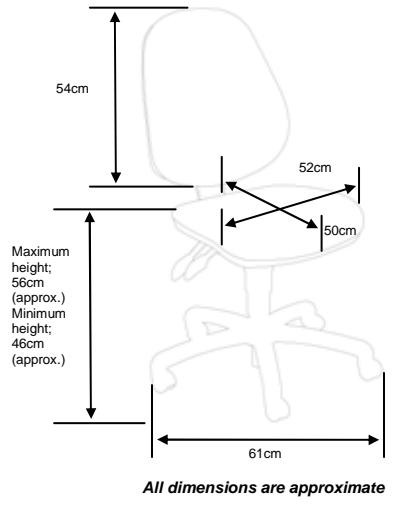
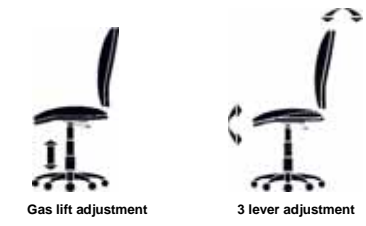
RECOMMENDED BY.....



R. QUINN,
MCSP, Reg.Mem. HPC, Mem.IEHF
and ACPQHE
"... working in partnership to address
seating and back issues and provide positive
preventative and corrective solutions."

As any hobbyist will tell you one of the most important things you'll need when sitting for long periods is a correct sitting posture, good support and probably most importantly comfort. We have all seen budget priced chairs which are photographed so beautifully but once you start to look a little deeper the photogenic façade starts to slip. Lack of adequate padding for instance or poor quality padding which starts to disintegrate within a very short period, low quality components which can look identical but last nowhere near as long or just plain bad manufacture; these are just a few examples. The Horn *HOBBY CHAIR* however, offers something for everyone, because after all we are all individuals with different needs. It features a 3 lever mechanism, this allows for huge precise adjustment, you can change not only the back height and rake position but also the tilt of the main seat, just like a luxury car seat. The Horn *HOBBY CHAIR* offers a sculptured, deep, luxuriously padded seat and back with an approved contoured support to fit into your body, it can be quickly raised or lowered to your desired position by means of a gas elevator and is fitted with a smaller castor base to allow you to fit easily into your sewing cabinet. To finish off the perfect chair it's available in four home friendly fabrics. The perfect chair to finish off your perfect sewing room.

"The best seat in the house is now endorsed & approved!"



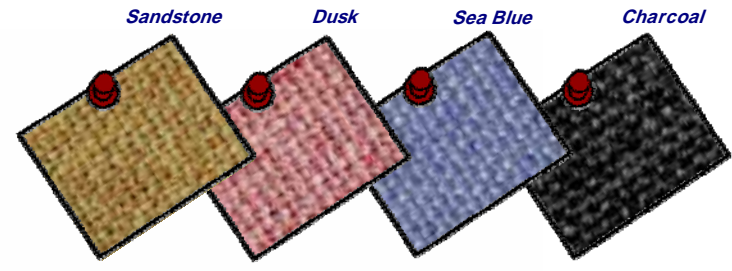
Fabric Chart

*Like to see a sample of a fabric?- No problem
Contact us on 01793 834304 and we'll sort it out for you.*

The Fabric colour pictured is Sandstone

The 'Tall' HOBBY - CHAIR

- the New Horn 'Tall' Hobby Chair



Fabric Chart

*Like to see a sample of a fabric?- No problem
Contact us on 01793 834304 and we'll sort it out for you.*

"The best seat in the house just got taller!"

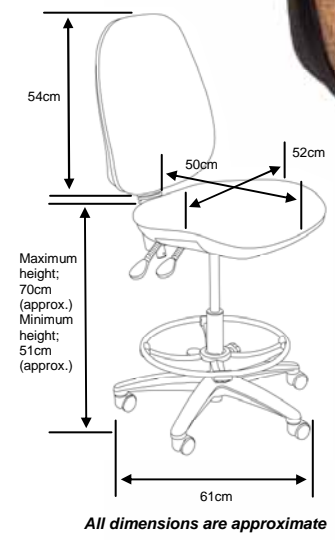
New!



RECOMMENDED BY.....



R. QUINN,
MCSP, Reg.Mem. HPC, Mem.IEHF
and ACPQHE
"... working in partnership to address
seating and back issues and provide positive
preventative and corrective solutions."



*All the advantages of our standard Hobby chair....
but now with extra height!*

The Fabric colour pictured is Sandstone

THE SAME GREAT FEATURES BUT NOW AS AN EXTRA TALL CHAIR..... This will allow you all the endorsed comfort and support of the original Horn Hobby chair but at a far greater height with an enhanced sitting height of 70cm off the ground! (The normal chair being 56cm). This is ideal for sitting at higher surfaces such as our HILO, Sewers Vision and Maxi Hobby table.

Range of HORN SCISSORS

New!



- ▶ Superior quality...High calibre, rust resistant Solingen stainless steel. No nickel is used in the manufacture of the steel alloy which gives anti-allergenic properties.
- ▶ In house, injection moulded, long life handles for superb ergonomic hand comfort. This gives excellent balance and lightness during use which lessens hand fatigue.
- ▶ 6 sizes to choose from covering virtually all sewing, quilting & craft applications.
- ▶ Hand ground by German craftsmen from a company with well over 100 years of experience in scissor production.
- ▶ Fitted with an adjustable fixing screw. This fixing has been specially designed in-house to allow the tension between the blades to be adjusted and, if separated by a professional, allows the re-grinding/ sharpening of the blades. This gives the possibility of an exceptionally long service life.
- ▶ Solid, reliable German made quality.

Horn Essentials

Another professional quality product from the new Horn Essentials range....



Precision ground by expert hands using traditional methods



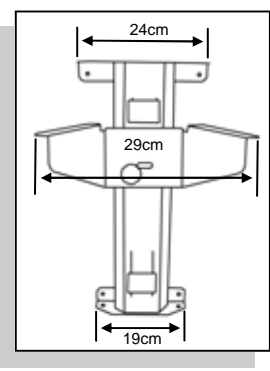
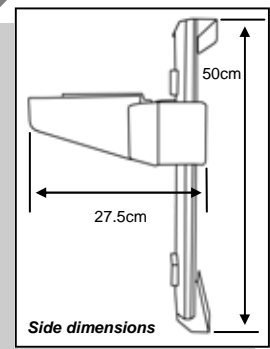
The blades are connected using an in-house developed technique. Allowing for tension adjustment between blades.



Every pair of scissors are subject to a strict quality control procedure before being declared ready for sale.

Horn AIR-LIFTER

- Horn rear mounted 3 step sewing machine air-lifter



New!

German made quality!

- ▶ Versatile fixing ability with multi-hole brackets.
- ▶ Easier fitment or removal due to its all in one style.
- ▶ Smooth & simple to operate lifting operation.
- ▶ Solid movement on 8 ball steel roller bearings.
- ▶ Fitted with a new position locking screw.
- ▶ Automatic push-down release mechanism, (no levers), enabling an easy lifting and storing operation for your sewing machine.
- ▶ 3 adjustable stop positions.
- ▶ Durable zinc plated finish on the mast.
- ▶ Solid, reliable German made quality.



Sewing machine air-lifter side shot



German made quality!

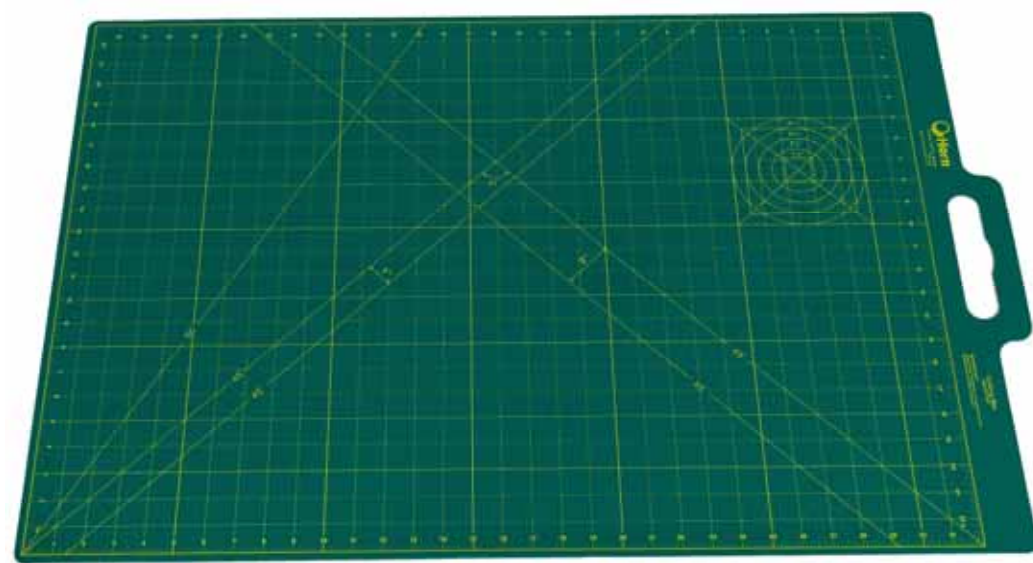
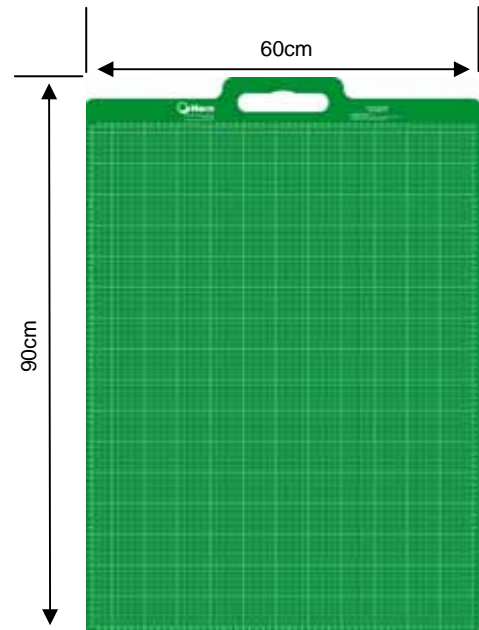
Excellent, long lasting sharpness— made using high grade stainless steel!

'A cut above the rest'

Horn A7 Cutting mat

Top quality!

New!



- ▶ Self healing, triple thickness (3mm), designed for rotary cutters.
- ▶ Tough, long lasting surface, helps extend the life of your blades.
- ▶ Accurate measurements & reversible. Inches & grids one side, metric measurements on the other.
- ▶ Made with the highest EN-71 specifications.
- ▶ Large 24ins x 34ins size (600mm x 900mm inc. handle).
- ▶ Convenient carrying handle.

The best mat you'll ever use!

Horn Essentials

Another professional quality product from the new Horn Essentials range....